

ALL SS PRESSURE GAUGE

BOURDON TYPE

BBA



SPECIAL FEATURES

- STAINLESS STEEL CASE & MEASURING SYSTEM
- DRY OR LIQUID VERSION
- STANDARD FOLLOWED EN837-1

APPLICATIONS

FOOD & BEVERAGE, PHARMACEUTICAL, REGULATORS, PUMPS, HYDRO-CLEANING MACHINES, PRESSES, ENGINE COMPRESSORS, TURBINES, DIESEL ENGINES & REFRIGERATING PLANTS



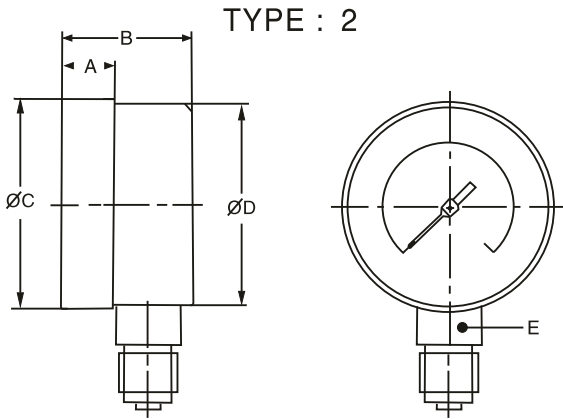
SPECIFICATIONS

STANDARD VERSION: 30mm, 40mm, 50mm

Accuracy	: $\pm 1.6\%$ Of FS.
Ambient temperature	: -40°C to $+60^{\circ}\text{C}$
Process temperature	: Max. 180°C
Operating pressure	: 75% of the scale value
Over pressure limit	: 25% for pressure ranges up to 100 kg/cm^2 15% for pressure ranges above 100 kg/cm^2

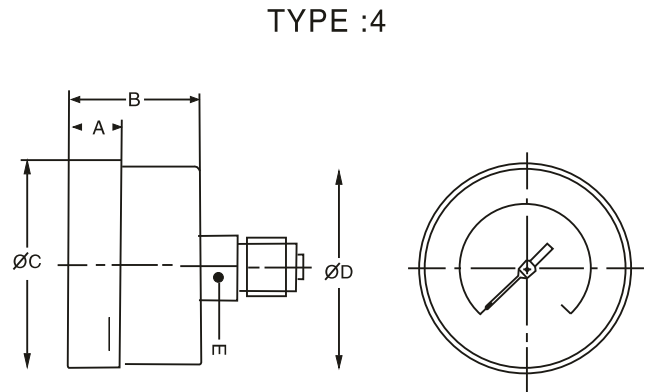
Case	: AISI 304 SS, AISI 316SS
Ring	: AISI 304 SS (push fit type for 40mm & Bayonet)
Socket	: AISI 316 SS
Bourdon	: AISI 316 SS
Jointst	: AISI 304 SS
	: TIG argon arc welding

Dial	: Aluminium, black graduation on white background
Pointer	: Aluminium, black coloured, Fixed.
Window	: Sheet Glass
Gasket	: Silicon Rubber



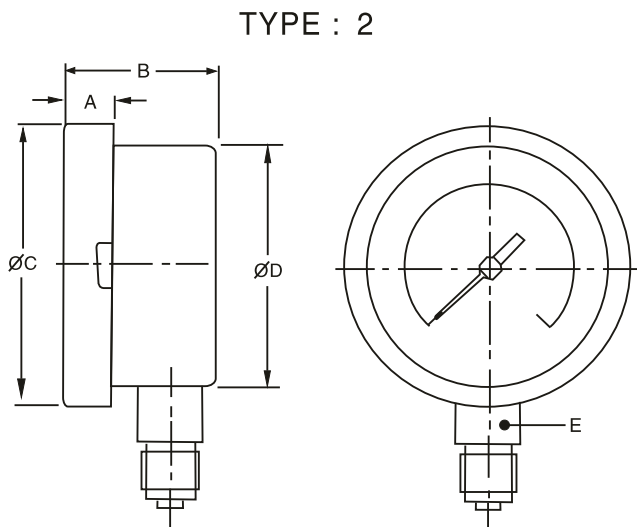
PUSH FIT TYPE(STANDARD)

NS	A	B	ØC	ØD	E	Weight in gram (With Box)
40	8	25	43	41	11	77.0



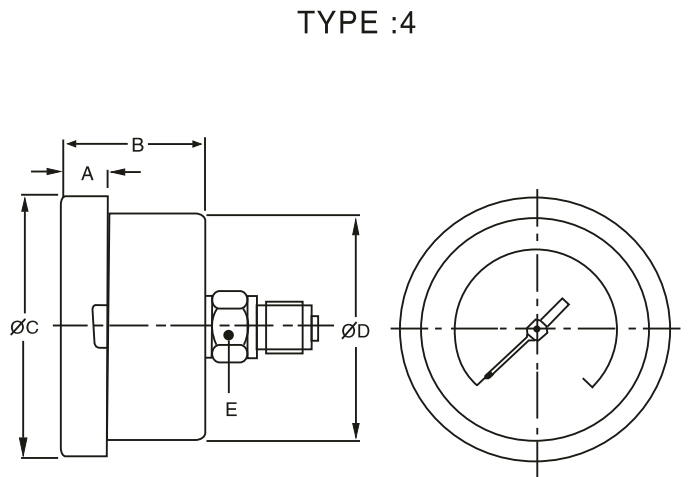
PUSH FIT TYPE(STANDARD)

NS	A	B	ØC	ØD	E	Weight in gram (With Box)
40	8	25	43	41	11	80.0



PUSH FIT TYPE(STANDARD)

NS	A	B	ØC	ØD	E	Weight in gram (With Box)
50	10	31	59	51	14	136.0



PUSH FIT TYPE(STANDARD)

NS	A	B	ØC	ØD	E	Weight in gram (With Box)
50	10	31	59	51	14	162.0

Notes:•Drawings are not to scale. All Dimensions are in mm.• NS=Nominal.Size.

RANGE TABLE

Note: MIX offers Pressure ranges, Vacuum ranges and Compound ranges in Scales like Pa, MPa, bar, psi, kg/cm² & Dual Scale like kPa with psi, kpa with bar, bar with psi or scales as per the requirement can be provided on request.

Following are the example tables for kg/cm² & psi scales

PRESSURE RANGE

		40	50
RANGE(Psi with kg/cm ²)			
RANGE PSI	RANGE kg/cm ²		
-30in Hg/0	-760mmHg/0	×	✓
0/15 psi	0/1kg/cm ²	×	✓
0/30psi	0/2kg/cm ²	✓	✓
0/60psi	0/4kg/cm ²	✓	✓
0/100psi	0/7kg/cm ²	✓	✓
0/150psi	0/10kg/cm ²	✓	✓
0/200psi	0/14kg/cm ²	✓	✓
0/300psi	0/21kg/cm ²	✓	✓
0/400psi	0/28kg/cm ²	✓	✓
0/500psi	0/35kg/cm ²	✓	✓
0/600psi	0/40kg/cm ²	✓	✓
0/1000psi	0/70kg/cm ²	✓	✓
0/1500psi	0/100kg/cm ²	✓	✓
0/2000psi	0/140kg/cm ²	✓	✓
0/3000psi	0/210kg/cm ²	✓	✓
0/4000psi	0/280kg/cm ²	✓	✓
05000psi	0/350kg/cm ²	×	✓
06000psi	0/400kg/cm ²	×	✓

ACCESSORIES †

EC GAUGE COCK

EG SNUBBER

* NEEDLE VALVE

† Refer Data sheet for complete specifications * Refer catalogue for valves and manifolds

HOW TO ORDER

BASIC MODEL

CODE	A	B	C
NOMINAL SIZE(mm)	40	50	30

TYPE OF MOUNTING

- A1 DIRECT BOTTOM ENTRY
 A2 DIRECT CENTRE BACK ENTRY
 A3 BACK ENTRY WITH MOUNTING BRACKET(ONL FOR NS-50mm & ROLL)

GAUGE CONNECTION

- B1 1/8"BSP(M)STANDARD
 B2 1/8"NPT(M)STANDARD
 B3 1/8"BSPT(M)
 B4 1/4"NPT(M)STANDARD
 B5 1/4"BSP(M)STANDARD
 B6 1/4"BST(M)

Note:Connections like PT/PF/Flaired/UNF/G/R etc.Can be provided on request.
 Non standard connections can be provided through adaptors.

RANGE

REFER TABLES

OPTIONS

FOR NON STANDARD PRODUCTS/OPTIONAL ITEMS,PLEASE CONTACT FACTORY FOR DELIVERY AND MINIMUM QUANTITY OF ORDER.

- | | |
|--|--|
| C1 FIVE POINT CALIBRATION CERTIFICATE | C7 OXYGEN SERVICE |
| C2 DAMPENING SCREW IN AISI 316 SS | C8 ENCLOSURE PROTECTION IP-65
(IF BAYONET TYPE CASE & BEZEL) |
| C3 CUSTOM DESIGNED DIAL | C9 SS TAGPLATE |
| C4 DAMPENING LIQUID GLYCERINE FILLED | C10 FILLABLE LIQUID SILICON OIL* |
| C5 DAMPENING LIQUID SILICON OIL FILLED* | C11 FILLABLE LIQUID GLYCERINE |
| C6 CASE WITH ROLLING TYPE BEZEL | |

Note:Option PY,QA,FS,FG,SN are applicable for NS 50mm & Rolling type design.

*GASKET & FILLING PLUG OF VITON/NBR

Ordering Example:

BBA-B-A1-B1-0/10kg/cm²-C7

Note: ● Due to continuous improvement, the specification may vary from time to time.