

ALL SS PRESSURE GAUGE

BOURDON TYPE

BBB



SPECIAL FEATURES

- STAINLESS STEEL CASE & MEASURING SYSTEM
- DRY OR LIQUID FILLED
- ACCURACY UP TO $\pm 1.0\%$
- STANDARD FOLLOWED EN 837-1

APPLICATIONS

FOOD & BEVERAGE, PHARMACEUTICAL, CRYOGENICS, CHEMICAL & PETROCHEMICAL INDUSTRIES, CONVENTIONAL & NUCLEAR POWER PLANT PUMPS, HYDRO-CLEANING MACHINES, PRESSES, ENGINE COMPRESSORS TURBINES, DIESEL ENGINES & REFRIGERATING PLANTS.



SPECIFICATIONS

STANDARD VERSION: 63mm

Accuracy	: $\pm 1.6\%$ Of F.S.
Ambient temperature	: -40°C to $+60^{\circ}\text{C}$
Process temperature	: Max. 180°C
Operating pressure	: 75% of the scale value
Over pressure limit	: 30% for pressure ranges upto 400 kg/cm^2 15% for pressure ranges above 400 kg/cm^2
Case	: AISI 304 SS
Ring	: AISI 304 SS, Bayonet Type
Socket	: AISI 316 SS
Bourdon	: AISI 316 SS
Movement	: AISI 304 SS
Jointst	: TIG argon arc welding
Protection	: IP65
Dial	: Aluminium, black Coloured, Fixed
Pointer	: Aluminium, black Coloured, Fixed
Window	: Plexi Glass
Gasket	: Silicon Rubber
Filling Plug	: Neoprene

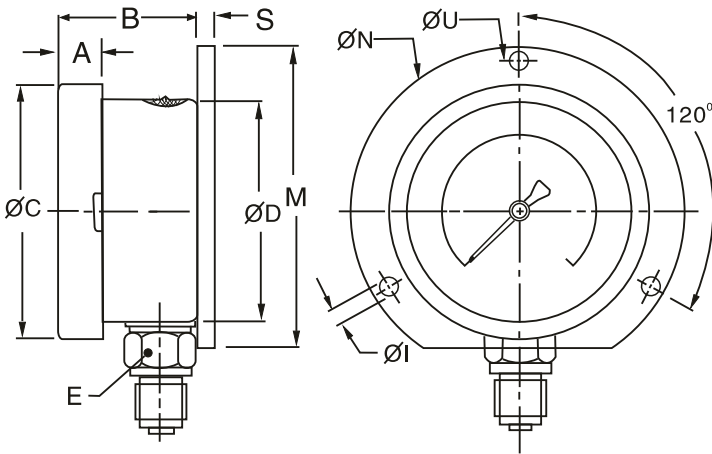
GLYCERINE FILLED VERSION (OPTION C10)

Process Temperature	: Max. 65°C
Ambient Temperature	: Max. 65°C
Window	: Plexi Glass
Dampening Liquids	: Glycerine 98%
Other Features	: Refer Specification of Standard Version

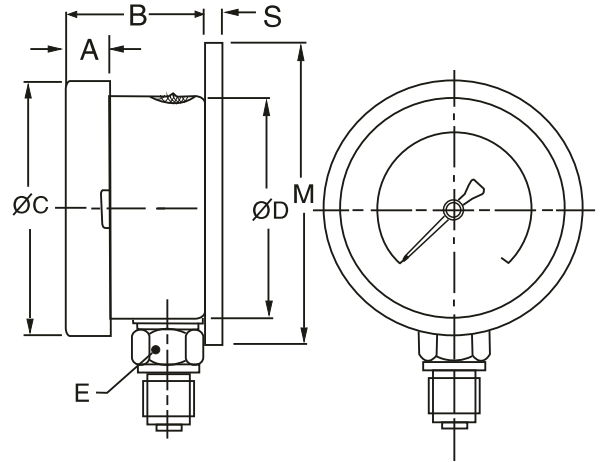
DRY BUT FILLABLE VERSION

Option Code	: Fillable Dampening Liquid
C4	: For Glycerine 98%
C5	: For silicon Oil

TYPE:1



TYPE:2



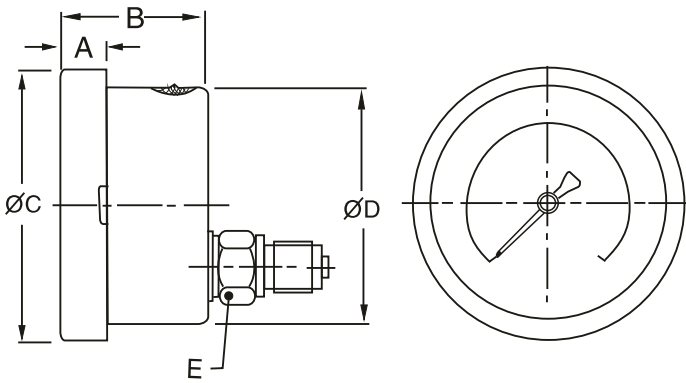
BAYONET TYPE (STANDARD)

BAYONET TYPE (STANDARD)

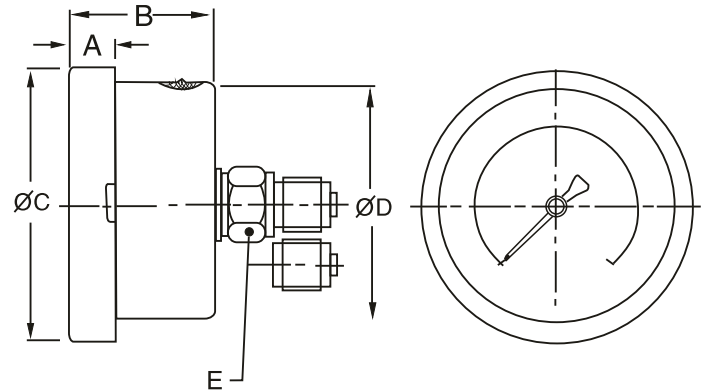
NS	A	B	ØC	ØD	E	S	ØN	ØDI	ØU	M	Weight in gram (With Box)
63	9	31	69.5	62.5	A/F 14	5	88	5	76	80	222.0

NS	A	B	ØC	ØD	E	Weight in gram (With Box)
63	9	31	69.5	62.5	A/F 14	179.0

TYPE:3



TYPE:4



BAYONET TYPE (STANDARD)

BAYONET TYPE (STANDARD)

NS	A	B	ØC	ØD	E	Weight in gram (With Box)
63	9	31	69.5	62.5	A/F 14	187.0

NS	A	B	ØC	ØD	E	Weight in gram (With Box)
63	9	31	69.5	62.5	A/F 14	187.0

RANGE TABLE

Note: MIX offers Pressure ranges, Vacuum ranges and Compound ranges in Scales like kpa, mpa, bar, psi kg/cm² & Dual Scale like kpa with psi, kpa with bar, bar with psi or scales as per the requirement can be provided on request.

Following are the example tables for kg/cm² & Psi scales

PRESSURE RANGE

RANG(PS with kg/cm ²)			
RANGE PSI	RANGE kg/cm ²	RANGE PSI	RANGE kg/cm ²
-30in Hg/0	-760mmHg/0	0/3000 psi	0/210kg/cm ²
0/15 psi	0/1kg/cm ²	0/4000 psi	0/280kg/cm ²
0/30psi	0/2kg/cm ²	0/5000psi	0/350kg/cm ²
0/60psi	0/4kg/cm ²	0/6000psi	0/400kg/cm ²
0/100psi	0/7kg/cm ²	0/10000psi	0/700kg/cm ²
0/150psi	0/10kg/cm ²	0/15000psi	0/1000kg/cm ²
0/200psi	0/14kg/cm ²	-30inHg/15	-1/1kg/cm ²
0/300psi	0/21kg/cm ²	-30inHg/30	-1/2kg/cm ²
0/400psi	0/28kg/cm ²	-30inHg/60	-1/3kg/cm ²
0/500psi	0/35kg/cm ²	-30inHg/100	-1/6kg/cm ²
0/600psi	0/4kg/cm ²	-30inHg/150	-1/9kg/cm ²
0/1000psi	0/70kg/cm ²	-30inHg/200	-1/15kg/cm ²
0/1500psi	0/100kg/cm ²	-30inHg/300	-1/20kg/cm ²
0/2000psi	0/140kg/cm ²	-30inHg/500	-1/24kg/cm ²

AMMONIA WITH TEMPERATURE SCALE

-30inHg/150psi	-1/12.5kg/cm ²	-1/25kg/cm ²
-30inHg/300psi	-1/16kg/cm ²	

FREON WITH TEMPERATURE SCALE

-30inHg/150psi	0/300 psi
-30inHg/300psi	0/500 psi

ACCESSORIES

EC GAUGE COCK	EG SNUBBER	DX DIAPHRAGM SEAL
ED GAUGE SAVER	EH SIPHON	
* NEEDLE VALVE	EB COOLING TOWER	

Refer Datasheet for complete specifications *Refer catalogue for Valves & Manifolds

HOW TO ORDER

BASIC MODEL

CODE	C
NOMINAL SIZE(mm)	63

BBB

C

TYPE OF MOUNTING

A4	SURFACE/WALL/PROJECTION MOUNTING WITH BOTTOM ENTRY
A1	DIRECT BOTTOM ENTRY
A5	DIRECT LOWER BACK ENTRY
A2	DIRECT CENTRE BACK ENTRY
A6	FLUSH PANEL BACK ENTRY WITH FRONT FLANGE
A3	BACK ENTRY WITH MOUNTING BRACKET (ROLLING TYPE DESIGN ONLY)

A4

GAUGE CONNECTION

B7	1/8"BSP(M)
B8	1/8"NPT(M)
B5	1/4"NPT(M)STANDARD
B4	1/4"BSP(M)STANDARD

B7

Note:Connections like PT/PF/Flairde /UNF/G/R eac.can be orivuded on request.
Non standard connections can be provided through adaptors.

RANGE

REFER TABLES

0-10
kg/cm²

OPTIONS

FOR NON STANDARD PRODUCTS/OPTIONAL ITEMS, PLEASE CONTACT FACTORY FOR DELNERY AND MINMUM QUANTITY OF ORDER.

C3	CUSTOM DESIGNED DIAL	C19	SAFETY GLASS
C7	OXYGEN SERVICE(WITHOUT DAMPENING LIQUIDS)	C9	SSTAG PLATE
C12	AISI 316 SS CASE & BEZEL	C20	HELIUM LEAK TEST
C1	FIVE POINT CALIBRATION CERTIFICATE	C10	FILLABLE LIQUID SILICON OIL*
C13	DAMPENING LIQUID MINERAL LIQUID FILLED	C11	FILLABLE LIQUID GLYCERINE
C14	DAMPENING LIQUID FLOUROLUBE FILLED	C2	INTEGRAL DAMPENING SCREW IN AISI 316 SS
C4	DAMPENING GLYCERINE FILLED	C21	FREON RANGE(WITH TEMPERATURE SCALE)
C5	DAMPENING LIQUID SILICON OIL FILLED*	C22	AMMONIA RANGE(WITH TEMPERATURE SCALE)
C16	SHATTERPROOF/SAFETY GLASS(FOR BAYON TYPE DESIGN)	C23	MAXIMUM READING POINTER
C17	25MM BOB(EXCEPT MOUNTING4,5AND9)	C24	TRIANGLE TYPE SURFACE MOUNTING PLATE
C6	CASE WITH ROLLING TYPE BEZEL	C25	WELDED SOCKET TOTHE CASE
C18	ACCURACY ± 1.0%OF FS.(WITHOUT OPTION DAMPENING LIQUID)		

C19

* GASKET,BOD & FILLING PLUG OF VITON/NBR

Ordering Example:

BBB-C-A1-B7-0/10kg/cm²-C19

Note: ● Due to continuous improvement, the specification may vary from time to time.