

# SS PRESSURE GAUGE (COMPACT CASE)

## BOURDON TYPE



BBC



### SPECIAL FEATURES

- COST EFFECTIVE
- RUGGED BUT SLEEK DESIGN
- DRY OR LIQUID FILLED
- COMPACT DESIGN
- STANDARD FOLLOWED IN GENERAL EN 837-1

### APPLICATIONS

PNEUMATICS, HYDRAULICS, PUMP,  
COMPRESSORS, DIESEL ENGINES

### SPECIFICATIONS

#### STANDARD VERSION: 100mm



Accuracy	: ±1.0% Of F.S.
Ambient temperature	: -20°C to +60 °C
Process temperature	: Max. 180 °C
Operating pressure	: 75% of the scale value
Over pressure limit	: 30% for pressure ranges upto 400 kg/cm <sup>2</sup> 15% for pressure ranges above 400kg/cm <sup>2</sup>

Case	: AIS I304 SS
Ring	: AIS I304 SS, Bayonet Type
Socket	: AIS I316 SS
Bourdon	: AIS I316 SS
Movement	: AISI304 SS
Jointst	: TIG argon arc welding

Protection	: IP65
Dial	: Aluminium, black Coloured, Fixed
Poineter	: Aluminium, black Coloured, Fixed
Window	: Plexi Glass
Gasket	: Silicon rbber
Filling Plug	: Neoprene

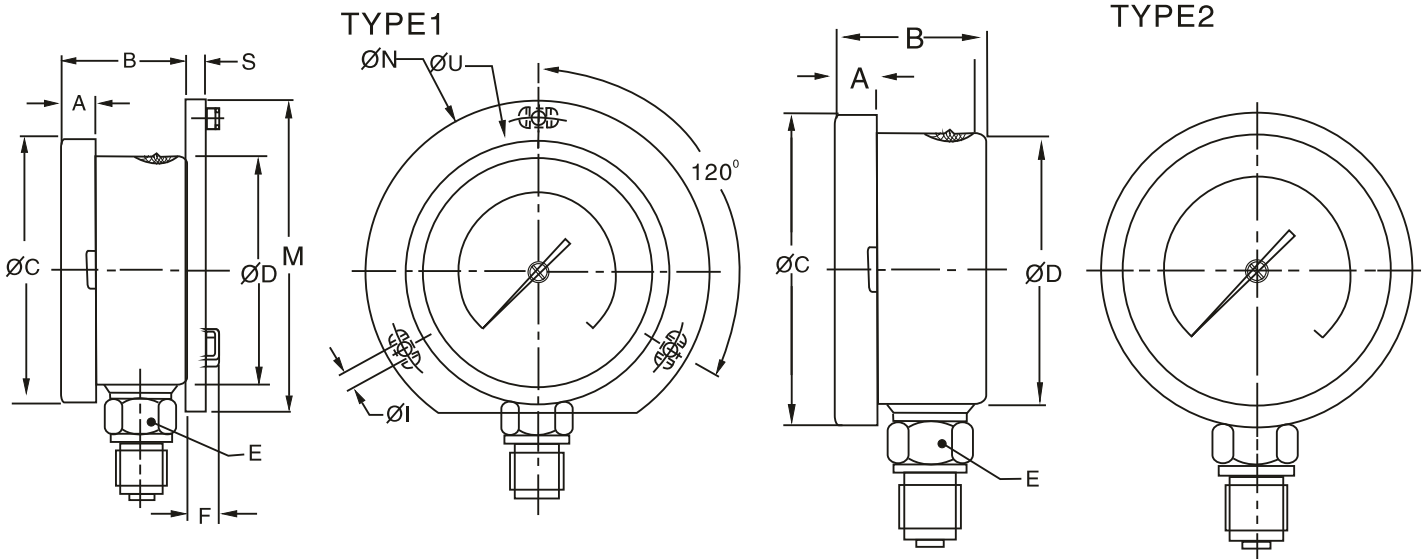
#### GLYCERINE FILLED VERSION(OPTION PY)

Ambient Temperature	: +1.6% Of F.S.
Process Temperature	: Maximum. 65 °C
Ambient Tempersture	: Maximum. 65 °C
Window	: Plexi Glass
Dampening Liquids	: Glycerine 98%
Other Features	: Refer Specification of Standard Version

#### DRY BUT FILLABLE VERSION

Option Code	: Fillable Dampening Liquid
C4	: For Glycerine 98%
C5	: For silicon Oil

## DIMENSIONS-STANDARD VERSION



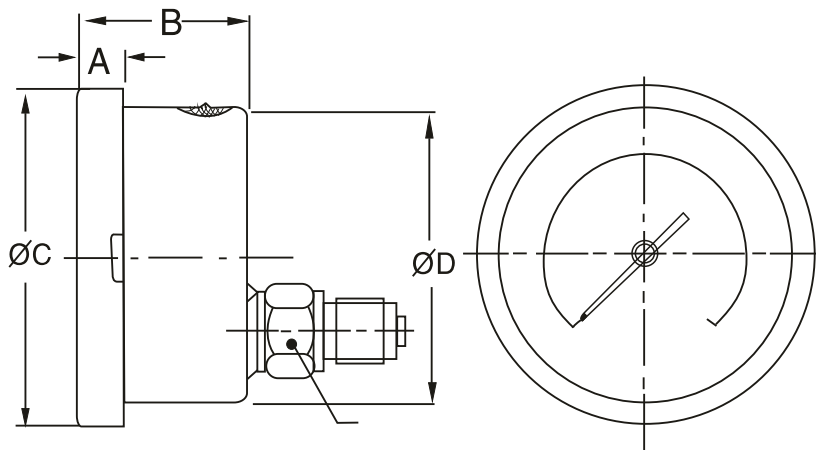
**BAYONET TYPE(STANDARD)**

NS	A	B	ØD	ØC	E	M	S	F	ØI	ØN	ØU	Weight in gram (With Box)
100	12.5	39	100	110	A/F 17	128	6	14.5	6	134	118	530.0

**BAYONET TYPE(STANDARD)**

NS	A	B	ØD	ØC	E	
100	12.5	39	100	110	A/F 17	420.0

**TYPE 3**



**BAYONET TYPE(STANDARD)**

NS	A	B	ØD	ØC	E	
100	12.5	39	100	110	A/F 17	440.0

## RANGE TABLE

**Note:** MIX offers National/international Scales like kPa, Mpa, bar, psi, kg/cm<sup>2</sup> & Dual Scale like kPa with psi, kPa with bar, bar with psi or Equivalent scales as per the requirement can be provided on request.

Following are the example tables for kg/cm<sup>2</sup> & psi scales

## PRESSUER RANGE

SINGLE SCALE with kg/cm <sup>2</sup>					
RANGE	RANGE	RANGE	RANGE	RANGE	RANGE
0/1	0/4	0/16	0/60		
0/1.6	0/6	0/25	0/100		0/250
0/2.5	0/10	0/40	0/160		0/400
DUAL SCALE with kg/cm <sup>2</sup>					
RANGE(IN PSI)	RANGE(kg/cm <sup>2</sup> )	RANGE(IN PSI)	RANGE(IN PSI)	RANGE(IN PSI)	RANGE(kg/cm <sup>2</sup> )
0/15	1	0/300	21	0/3000	210
0/30	2	0/400	28	0/4000	280
0/60	4	0/500	35	0/5000	350
0/100	7	0/600	40	0/6000	400
0/150	10	0/1000	70		
0/200	14	0/1500	100		
		0/2000	140		

## VACUUM & COMPOUND RANGE

DUAL SCALE					
RANGE	RANGE	RANGE	Range	Range	Range
in Hg with PSI	mm Hg with kg/cm <sup>2</sup>	in Hg with PSI	mm Hg with kg/cm <sup>2</sup>	in Hg with PSI	mm Hg with kg/cm <sup>2</sup>
-30/0	-760/0	-30/60	-760/3	-30/2000	-760/15
-30/15	-760/1	-30/100	-760/6	-30/300	-760/20
-30/30	-760/2	-30/150	-760/9	-30/350	-760/24
SINGLE SCALE with kg/cm <sup>2</sup>					
RANGE	RANGE	RANGE	RANGE	RANGE	RANGE
-1/0	-1/1.5	-1/5	-1/15		
-1/1.6	-1/3	-1/9	-1/24		

## FREON (WITH TEMPERATURE SCALE)

## AMMONIA (WITH TEMPERATURE SCALE)

DUAL SCALE (inch Hg to PSI)		RANGE(kg/cm <sup>2</sup> )	RANGE(psi)
RANGE	RANGE		
-30/150	0-300	-1 to 12.5	-30-150
-30/300	0-500	-1 to 16	-30-300
		-1 to 25	0-300

## ACCESSORIES

EC GAUGE COCK	* NEEDLE VALVE
ED GAUGE SAVER	EG SNUBBER
	EG SIPHON

† Refer Datasheet for complete specifications \* Refer catalogue for valves and manifolds

## HOW TO ORDER

### BASIC MODEL

BBC

### NOMIN ALL SIZE

D 100mm

D

### TYPE OF MOUNTING

A4 WALL/SUR FACE/PROJECTIONMOUNTING WITH BOTTOM ENTRY

A1 DIRECT BOTTOM ENTRY

A5 DIRECT LOWER BACK ENTRY

A2 DIRECT CENTRE BACK ENTRY

A6 FLUSH PANEL BACK ENTRY WITH FRONT FLANGE

A3 BACK ENTRY WITH MOUNTING BRACKET

A1

### GAUGE CONNECTION

B16

B16 1/4"BSP(M)	B12 3/8"NPT(M)	B15 1/2" BSPT(M)
B9 3/8"BSP(M)STANDARD	B13 1/"NPT(M)STANDARD	
B10 1/2"BSP(M)STANDARD	B6 1/4"BSPT(M)	
B11 1/4"NPT(M)	B14 3/8"BSPT(M)	

**Note:Connections like PT/PF/Flaired/UNF/G/R etc.can be provided on request.  
Non standard connections can be provided through adaptrs.**

### RANGE

REFER TABLES

0-10  
kg/cm<sup>2</sup>

### OPTIONS

C11

**FOR NON STANDARD PRODUCTS/OPTIONAL ITEMS,PLEASE CONTACT FACTORY FOR DELIVERY AND MINMUM QUANTITY OF ORDER.**

C4 DAMPENING LIQUID GL YCERINE FILLED	C11 FILLABLE LIQUID GLYCERINING
C1 FOVE POINT CALIBRATION CERTIFICATE	C21 FREON RANGE(WITH TEMPERATURE SCALE)
C3 CUSTOM DESIGNED DIAL	C22 AMMONIA RANGE(WITH TEMPERATURE SCALE)
C7 OXYGEN SERVICE (WITHOUT DAMPENING LIQUID)	C26 MOVEMENT IN AISI 304 SS
C9 SS TAG PLATE	
C2 INTEGRAL DAMPENING SCREW IN AISI 316 SS	
C6 CASE WITH ROLLING BEZEL	

**\*GASKET & PLUG OF VITON/NBR**

### **Ordering EXample:**

**BBC-D-A1-B16-0-10kg/cm<sup>2</sup>-C11**

**Note:** ● Due to continuous improvement,the specification may vary from time to time.