

# ALL SS PRESSURE GAUGE

## BOURDON TYPE

BBG



### SPECIAL FEATURES

- ALL STAINLESS STEEL
- ACCURACY UPTO 0.5%
- SUITABLE FOR DISTANT READING

### APPLICATIONS

BOILERS, FOOD & BEVERAGE, PHARMACEUTICAL, CRYOGENICS, CHEMICAL & PETROCHEMICAL INDUSTRIES, CONVENTIONAL & NUCLEAR POWERPLANTS, PUMPS, HYDRO-CLEANING MACHINES PRESSES, ENGINE COMPRESSORS, TURBINES, DIESEL ENGINES & REFRIGERATING PLANTS



### SPECIFICATIONS

**STANDARD VERSION: 200mm, 250mm**

Accuracy	: $\pm 1.0\%$ Of F.S.
Ambient temperature	: $-20^{\circ}\text{C}$ to $+60^{\circ}\text{C}$
Process temperature	: Max. $300^{\circ}\text{C}$
Operating pressure	: 75% of the scale value
Over pressure limit	: 30% for pressure ranges upto $600\text{ kg/cm}^2$ 15% for pressure ranges above $600\text{ kg/cm}^2$

Protection	: IP65
Case	: AISI 304 SS
Ring	: AISI 304 SS, Bayonet Type
Bourdon	: AISI 316L SS
Socket	: AISI 316L SS
Movement	: AISI 304 SS
Joints	: Ting Argon Arc Wlding

Dial	: Aluminium, black graduation on white background
Pointer	: Aluminium, black Coloured Micrometer "O" Adjustable
Window	: Sheet Glass
Blow off Disc	: Neoprene
Gasket	: Neoprene

### GLYCERINE FILLED VERSION

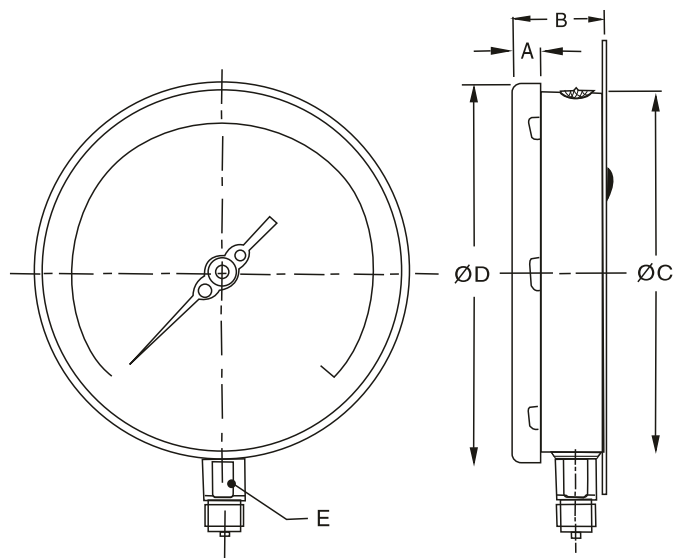
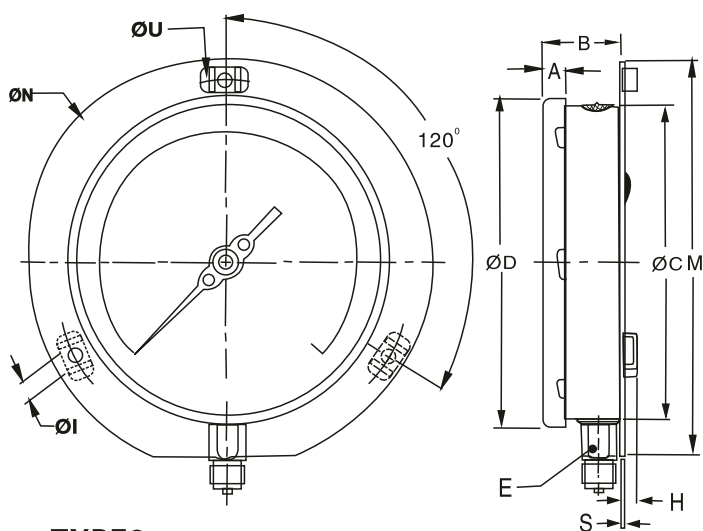
Accuracy	: $\pm 1.0\%$ of F.s.
Ambient Temperature	: Maximum $65^{\circ}\text{C}$
Process Temperature	: $65^{\circ}\text{C}$
Blow off Disc	: Neoprene
Dampening Liquids	: Glycerine 98% (Others available as Option)
Other Features	: Refer Specification of Standard Version A

### DRY BUT FILLABLE VERSION

Option Code	: <b>Fillable Dampening Liquid</b>
C4	: Fillable Glycerine 98%
C5	: For Silicon Oil

**TYPE1**

**TYPE2**



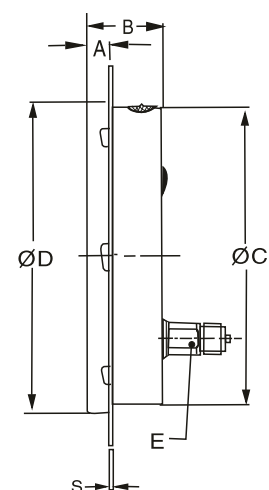
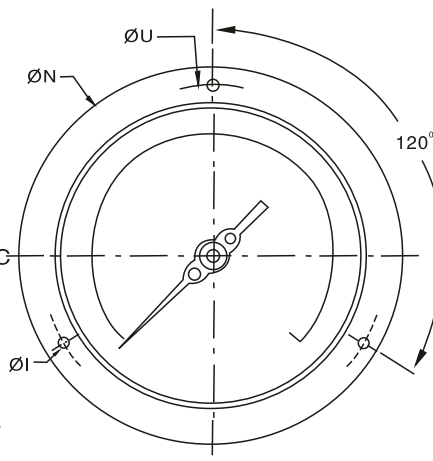
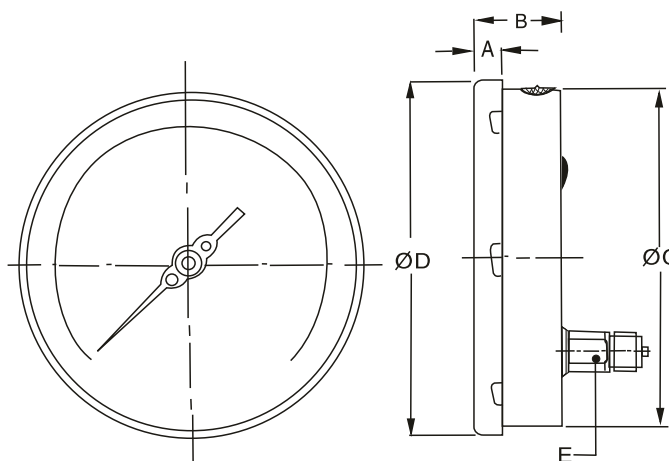
**TYPE3**

NS	A	B	ØC	ØD	E	M	ØN	ØU	H	ØI	S	Weight in gram (With Box)
200	15	49	201.5	201.5	22	-	245	230	15	7	1.5	1750.0
250	15	50.5	249	162	22	286.5	290	270	15	7	1.5	2720.0

NS	A	B	ØC	ØD	E	Weight in gram (With Box)
200	15	49	201.5	201.5	22	1550.0
250	15	50.5	249	162	22	2220.0

**TYPE3**

**TYPE4**



NS	A	B	ØC	ØD	E	Weight in gram (With Box)
200	15	49	201.5	201.5	22	1530.0
250	15	50.5	249	162	22	2180.0

NS	A	B	ØC	ØD	E	ØN	ØU	H	ØI	S	Weight in gram (With Box)
200	15	49	201.5	201.5	22	245	230	15	7	1.5	1730.0
250	15	50.5	249	162	22	290	270	15	7	1.5	2680.0

Notes: • Drawings are not to scale. • All Dimensions are in mm. NS=Nominal Size

## RANGE TABLE

**Note:** MIX offers National/International Scales like kPa , MPa , bar, psi kg/cm<sup>2</sup> & Dual Scale like KPa with psi, KPa with bar, bar with psi or Equivalent scales as per the requirement can be provided on request.

Following are the example tables for kg/cm<sup>2</sup> & psi scales

## PRESSURE RANGE

SINGLE SCALE ( kg/cm <sup>2</sup> or bar)					
RANGE	RANGE	RANGE	RANGE	RANGE	RANGE
0/0.6	0/4	0/25	0/160	0/1000	0/1000
0/1	0/6	0/40	0/250	0/1400	0/1400
0/1.6	0/10	0/60	0/400	0/1600	0/1600
0/2.5	0/16	0/100	0/600		
DUAL SCALE PSI with kg/cm <sup>2</sup> or PSI with bar					
RANGE(PSI)	RANGE(kg/cm <sup>2</sup> )	RANGE(PSI)	RANGE(kg/cm <sup>2</sup> )	RANGE(PSI)	RANGE(kg/cm <sup>2</sup> )
0/15	0/1	0/400	0/28	0/4000	0/280
0/30	0/2	0/500	0/35	0/5000	0/350
0/60	0/4	0/600	0/40	0/6000	0/400
0/100	0/7	0/1000	0/70	0/10000	0/700
0/150	0/10	0/1500	0/100	0/15000	0/1000
0/200	0/14	0/2000	0/140	0/20000	0/1400
0/300	0/20	0/3000	0/200	0/23000	0/1600

\*Note: For ranges above 1600 kg/cm<sup>2</sup>, please consult factory.

## VACUUM & COMPOUND

DUAL SCALE ( inHg with PSI & mmHg with kg/cm <sup>2</sup> )					
RANGE	RANGE	RANGE	RANGE	RANGE	RANGE
inHg with PSI	mmHg with kg/cm <sup>2</sup>	inHg with PSI	mmHg with kg/cm <sup>2</sup>	inHg with PSI	mmHg with kg/cm <sup>2</sup>
-30/0	-760/0	-30/60	-760/3	-30/200	-760/15
-30/15	-760/1	-30/100	-760/6	-30/300	-760/20
-30/30	-760/2	-30/150	-760/9	-30/350	-760/24
SINGLE SCALE(kg/cm <sup>2</sup> )					
RANGE	RANGE	RANGE	RANGE	RANGE	RANGE
-1/0	-1/1.5	-1/5	-1/15	-1/15	-1/15
-1/0.6	-1/3	-1/9	-1/24	-1/24	-1/24

## ACCESSORIES †

EB COOLING TOWER	* NEEDLE VAL VE	EG SNUBBER
EC GAUGE COCK		EH SIPHON

†Refer Datasheet for complete specifications

\*Refer catalogue for Valves & Manifolds

## HOW TO ORDER

### BASIC MODEL

#### CODE

#### NOMINAL SIZE(mm)

G	A
200mm	250mm

### TYPE OF MOUNTING

- A4 WALL/SURFACE/PROJECTION MOUNTING WITH BOTTOM ENTRY
- A1 DIRECT BOTTOM ENTRY
- A5 DIRECT LOWER BACK ENTRY
- A6 FLUSH PANEL BACK ENTRY WITH FRONT FLANGE
- A9 LOWER BACK ENTRY WITH MOUNTING BRACKET

### GAUGE CONNECTION

- B9 3/8"BSP(M)STANDARD
- B10 1/2"NPT(M)STANDARD
- B13 1/2"BSP(M)STANDARD
- B11 1/4"BSP(M)

**Note:Connections like PT/PF/Flairde /UNF/G/R eac.can be orivuded on request.  
Non standard connections can be provided through adaptors.**

### RANGE

REFER TABLES

### OPTIONS

FOR NON STANDARD PRODUCTS/OPTIONAL ITEMS, PLEASE CONTACT FACTORY FOR DELNERY AND MINMUM QUANTITY OF ORDER.

- |  |   |
|--|---|
| <b>C27</b> ACCURACY 0.5% OFF.S.<br>(EXCEPT OPTION DAMPENINGLIQUID) | <b>C37</b> INTERNAL VACUUM STOP                 |
| <b>C1</b> FIVEPOIN'rCALIBRATION CERTIFICATE                        | <b>C35</b> DIAL TAG MARKING                     |
| <b>C2</b> INTEGRAL DAMPENING SCREW IN AISI 316SS                   | <b>C9</b> SS TAG PLATE                          |
| <b>C3</b> CUSTOM DESIGNED DIAL                                     | <b>C47</b> IBR APPROVAL(UPTO 70kg/cm2           |
| <b>C36</b> INTERNAL OVER PRESSURE STOP                             | <b>C4</b> DAMPENING LIQUID GLYCERINE FILLED     |
| <b>C7</b> OXYGEN SERVICE<br>(WITHOUT OPTION DAMPENING LIQUID)      | <b>C5</b> DAMPENING LIQUID SILICON OIL FILLED*) |
| <b>C12</b> AISI 316SS CASE & BEZEL                                 |   |
| <b>C16</b> SHATTERPROOF/SAFETY GLASS                               |   |

\* GASKET,BOD & PLUG OF VITON /NBR

### Ordering Example:

**BBG-G-A4-B9-0/10kg/cm<sup>2</sup>-C37**

**Note:● Due to continuous improvement,th~specification may vary from time to time.**

BBG

G

A4

B9

0-10  
kg/cm<sup>2</sup>

C37