

DIAPHRAGM SEAL

SMS/FLOATING TYPE



SPECIAL FEATURES

- ALL 316 STAINLESS STEEL
- QUICK CONNECT AND DISCONNECT
- MATCHING DIN, SMS, RJT STANDARDS

APPLICATIONS

DIAPHRAGM SEALS ARE PROVIDED IN THE INSTRUMENTS LIKE PRESSURE GAUGES, SWITCHES, TRANSMITTERS IN ORDER TO ISOLATE THE SENSING ELEMENT FROM THE MAIN SERVICE DUE TO ITS CORROSIVE, VISCOUS AND SEDIMENTED NATURE AND TO AVOID CLOGGING AND SOLIDIFICATION. THESE SEALS ARE SPECIALLY DESIGNED FOR APPLICATIONS WHERE HIGH PURITY IN THE PROCESS IS ESSENTIAL.- TYPICALLY IN FOOD, BEVERAGES, DAIRY AND PHARMACEUTICAL INDUSTRIES.



SPECIFICATIONS

STANDARD VERSION:

Range	:	1.6 kg/cm ² to 40/cm ²
Process Temperature	:	- 20°C to 140°C or as per fill fluid
Instrument Connection	:	3/8" BSP (F)
Process Connection	:	As per DIN 11851, SMS, RJT, IDF

Diaphragm	:	AISI 316L SS
Unit Nut	:	AISI SS 316 SS
Chamber	:	AISI 316L SS
Fill Fluid	:	Food Grade Oil

(1) DN 25 and DN 1" = 1/4" BSP

DIN 11851 - (example drawn above)

DN	h	D	M	F(DIM 405)
25	21	63	20.5	Rd 52 x 1/6
32	21	70	29	Rd 58 x 1/6
40	21	78	36	Rd 65 x 1/6
50	22	92	50	Rd 78 x 1/6

SMS

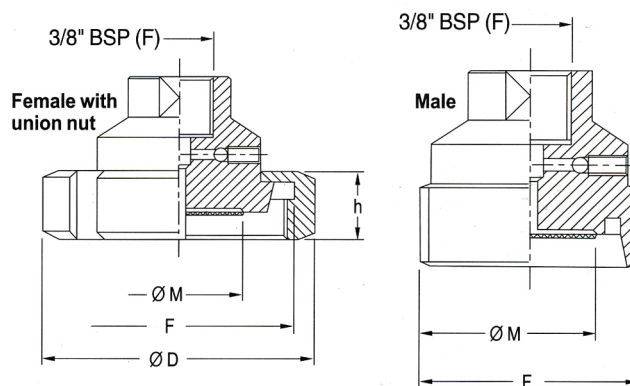
DN	h	D	M	F(DIM 405)
1 1/2"	25	74	29	Rd 60 x 1/6
2"	26	84	36	Rd 70 x 1/6

RJT

DN	h	D	M	F(Withworth)
1 1/2"	22	Hex. 65	29	2 5/16" x 8
2"	22	Hex. 79	36	2 7/8" x 6

IDF/ISS

DN	h	D	M	F(ACME)
1"	30	48	20.5	2 1/2" x 8
1 1/2"	30	64	29	2 1/32" x 8
2"	30	77	36	2 9/16" x 8



DIN 11851 - (example drawn above)

DN	M	F(DIM 405)
25	20.5	Rd 52 x 1/6
32	29	Rd 58 x 1/6
40	36	Rd 65 x 1/6
50	50	Rd 78 x 1/6

SMS

DN	M	F(DIM 405)
1 1/2"	29	Rd 60 x 1/6
2"	36	Rd 70 x 1/6

RJT/APV

DN	M	F(Withworth)
1 1/2"	29	2 5/16" x 8
2"	36	2 7/8" x 6

IDF/ISS

DN	M	F(ACME)
1"	20.5	2 1/2" x 8
1 1/2"	29	2 1/32" x 8
2"	36	2 9/16" x 8

HOW TO ORDER

BASIC MODEL

BBS

OPTIONS

FOR NON STANDARD PRODUCTS/OPTIONAL ITEMS, PLEASE CONTACT FACTORY FOR DELIVERY AND MINIMUM QUANTITY OF ORDER.

DIAPHRAGM

M1 AISI 316L SS

M1

INSTRUMENT CONNECTION

Q4 1/2" NPT (F) Q1 1/2" BSP (F)
 Q3 1/4" NPT (F) Q2 1/4" BSP (F)
 Q5 3/8" NPT (F) Q6 3/8" BSP (F)

Q4

CONNECTION TYPE & SIZE

W1 (25, 32, 40, 50mm) DIN
 W2 (1 1/2", 2") SMS
 W3 (1 1/2", 2") RJT
 W4 (1, 1 1/2", 2") IDF / ISS

W1

PROCESS CONNECTION

O13 MALE
 O14 FEMALE

O13

MATING PARTS

X1 (25, 32, 40, 50mm) DIN
 X2 (1 1/2", 2") SMS
 X3 (1 1/2", 2") RJT
 X4 (1, 1 1/2", 2") IDF / ISS

X1

FILLING FLUIDS

T1 FOOD GRADE OIL [-20 TO 140°C / -4 TO 284o F]

T1

CHAMBER

Y7 AISI 316L SS

Y7

TYPE

G1 WITHOUT CAPILLARY G2 WITH CAPILLARY

G1

CAPILLARY

H1 AISI 304 SS H2 AISI 316 SS

H1

CAPILLARY COVERED WITH ARMOUR

I1 AISI 304 SS I2 AISI 316 SS I3 PVC

I1

CAPILLARY LENGTH(Max up to 2Mtrs.)

IN METERS (e.g. 1.5 = 1.5 METERS 2.0 = 2 METERS)

1 Mtr.

OTHER OPTIONS

K3 HELIUM LEAK TEST K4 DRY SEAL ONLY WITHOUT INSTRUMENT

K3

Ordering Example:

BBS-M1-Q4- W1-O13-X1-T1-Y7-G1-H1-I1-1Mtr.-K3

Note : ● Due to continuous improvement, the specification may vary from time to time.