

# DIAPHRAGM SEAL

DIRECT FLANGED INSERT TYPE



BBX



## SPECIAL FEATURES

- WELDED DIAPHRAGM
- WIDE RANGE OF DAPHRAGM MATERIAL
- MOST SUITABLE FOR SLURRY & CORROSIVE SERVICE

## APPLICATIONS

DIAPHRAGM SEALS ARE PROVIDED IN THE INSTRUMENTS LIKE PRESSURS GAUGES, SWITCHES, TRANSMITTERS IN ORDER TO ISOLATE THE SENSING ELEMENT FROM THE MAIN SERVICE DUE TO ITS CORROSIVE, VISCOUS AND SEDIMENTED NATURE AND TO AVOID CLOGGING AND SOLIDIFICATION. THESE KIND OF SEALS ARE WIDELY USED IN THE VISCOUS & CORROSIVE SERVICES WHERE FLUSHING IS REQUIRED PERIODICALLY & FREQUENTLY.

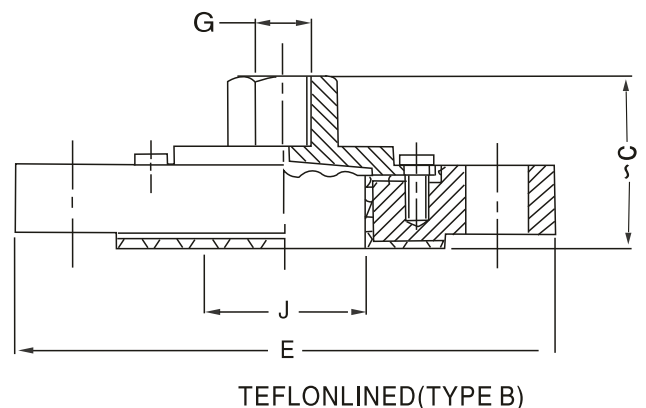
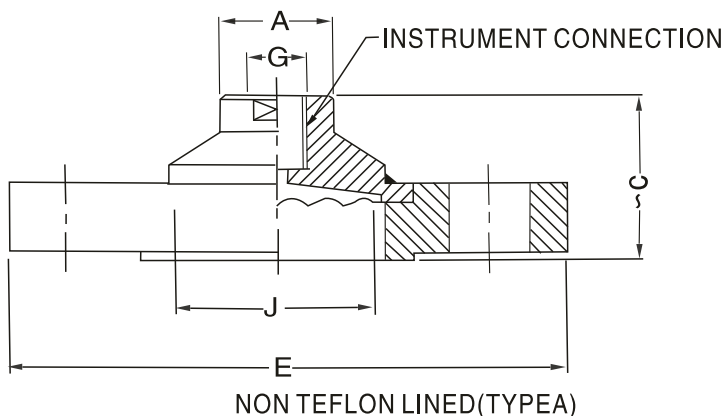


## SPECIAL FEATURES

### STANDARD VERSION:(FOR FLANGE SIZE 1/2"~2" AND ABOVE)

Range	: -1kg/cm <sup>2</sup> to 21kg/cm <sup>2</sup>
Process Temperature	: -40°C to 200°C or as per fill fluid
Instrument Connection	: 3/8" BSP (F)
Process Connection	: Flange(as per DIN/BS/ANSI/JIS)
	: Finish 125-250AARN
	: 32NB(1 1/4") to 80NB(3") (as required)

Diaphragm	: AISI 316L SS
Seal Chamber	: AISI 316 SS
Fill Fluid	: Silicon Oil -DC200



A	~C	E	G	J
30	44.5	**	3/8" BSP (M)	***

\*\* as per standard flange table ANSI, DIN, BS, JIS Etc.,  
 \*\*\* DIAPHRAGM DIA. TO SUIT FLANGE

**Note:** • Due to continuous improvement, the specification may vary from time to time.

**HOW TO ORDER  
BASIC MODEL**

**OPTIONS**

FOR NON STANDARD PRODUCTS/OPTIONAL ITEMS, PLEASE CONTACT FACTORY FOR DELIVERY AND MINIMUM QUANTITY OF ORDER.

**FLANGE**

- L1 AISI 316L SS                      L4 CARBON STEEL
- L2 AISI 316 SS

**DIAPHRAGM**

- M1 AISI 316L SS                      M2 NICKEL                      M3 TITANIUM
- M4 HASTELLOY'C'                      M5 SILVER                      M6 PTFE(FOR TYPE A ONLY)
- M6 MONEL                      M7 TANTALUM

**INSTRUMENT CONNECTION**

- Q1 1/2"BSP(F)                      Q5 3/8"NPT(F)
- Q2 1/4"BSP(F)                      Q4 1/2"NPT(F)
- Q6 3/8NPT(F)                      Q3 1/4"NPT(F)

**PROCESS CONNECTION**

AS PER DIN/BS/ANS/JIS ETC.STANDARD  
32NB(1 1/4")to 80NB(3")(As required)

**FLUSHING RING**

- S1 FLUSHING RING WITH 1/2"NPT PLUG(AISI 304 SS)                      S2 FLUSHING RING WITH 1/4"NPT PLUG(AISI 304 SS)
- S3 FLUSHING RING WITH 1/2"NPT PLUG(AISI 316 SS)                      S4 FLUSHING RING WITH 1/4"NPT PLUG(AISI 316 SS)Std.

**FILLING FLUIDS**

- T1 FLUROLUBE 4.2[-45 TO 175°C/-49 TO374 ° F]                      T2 SILICON DC 704 [0 TO 205°C/-32 TO401 ° F]
- T3 FLUROLUBE 6.3[-40 TO 235°C/-40 TO455 ° F]                      T4 SILICON DC 710 [5TO 345°C/-41 TO653 ° F]
- T5 FLUROLUBE FS5[-40 TO 150°C/-40 TO302 ° F]                      T6 SYLTHERM 800 [-45 TO205°C/-49 TO401° F]
- T7 FOOD GRADE OIL[-20 TO 140°C/-4 TO284 ° F]                      T8 SYLTHERM XLT [-75 TO150°C/-102TO302° F]
- T9 SILICON DC200-10CS[-40 TO 205°C/-40 TO401 ° F]                      T10 HALOCARBON OIL

**PROTECTION ON WETTED PARTS**

- U1 PTFE LINING ON FLANGE-2mm THICK                      U3 PTFE PROTECTION FOR DIAPHRAGM

**DIAPHRAGM MATERIAL**

- AD1 AISI 304                      AD6 MONEL                      AD7 HASTELLOYC                      AD2 CARBON STEEL
- AD5 AISI 316L SS                      AD3 TITANIUM                      AD4 AISI 316 SS

**TYPE**

- G1 WITHOUT CAPILLARY                      G2 WITH CAPILLARY

**CAPILLARY**

- H1 AISI 304 SS                      H2 AISI 316 SS

**CAPILLARY COVERED WITH ARMOUR**

- I1 AISI 304 SS                      I2 AISI 316 SS                      I3 PVC

**CAPILLARY LENGTH(Max up to 6Mtrs.)**

IN METERS (e.g.1.5= 1.5METERS 2.0=2METERS)

**OTHER ORTIONS**

- K3 HELIUM LEAK TEST                      K4 DRY SEAL ONLY WITHOUT INSTRUMENT

**Ordering Example:**

**BBX-L1-M1-Q1-B27-S1-T1-U1-AD1-G1-H1-I1-3Mtr.-K3**

Note: · Due to continuous improvement, the specification may vary from time to time.

BBX

L1

M1

Q1

B27

S1

T1

U1

AD1

G1

H1

I1

3Mtr.

K3