

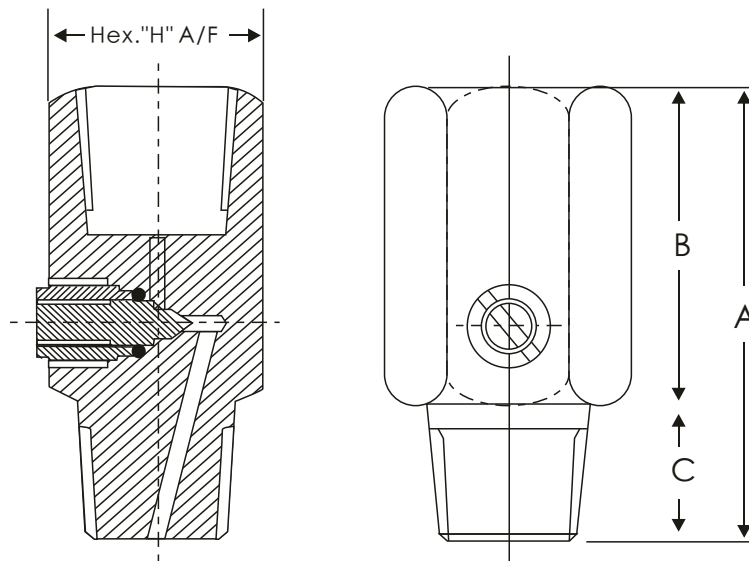
### SPECIAL FEATURES

THESE ARE DESIGNED TO PROTECT PRESSURE INSTRUMENTS FORM SUDDEN PRESSURE CHANGES AND FLUCTUATION OF PRESSURISING FLUID. SUDDEN PRESSURE CHANGES ARE DAMPENED BEFORE THEY REACH THE PRESSURE SENSING ELEMENT TO MINIMISE STRESS ON IT AND GIVING IT LONGER LIFE. THESE FIND APPLICATIONS IN HYDRAULIC MACHINES, COMPRESSORS, PROCESS PLANTS ETC.



### SPECIFICATIONS

Working Pressure	:	Upto 400kg/cm <sup>2</sup>
Working Temperature	:	-20°C to 200 °C
Material	:	AISI 316 SS



Connections	A	B	∅C	Hex. "H" A/F
1/4"(M xF)	63	50	13	17.0
3/8"(M xF)	63	47	16	28.0
1/2"(M xF)	63	43	20	28.0

## HOW TO ORDER

### BASIC MODEL

BCE

FOR NON STANDARD PRODUCTS/OPTIONAL ITEMS, PLEASE CONTACT FACTORY FOR DELIVERY AND MINIMUM QUANTITY OF ORDER.

### MATERIAL OF CONSTRUCTION

AE5

AE5	BRASS	AE2	AISI 316L SS
AE1	AISI 316 SS	AE6	MONEL
AE4	AISI 304 SS		

### CONNECTION

J1

J1	1/4"BSP(MxF)	J2	3/8"NPT(MxF)
J3	1/4"NPT(MxF)	J3	1/2"BSP(MxF)
J5	3/8"BSP(MxF)	J6	1/2"NPT(MxF)

### OPTIONS

SG

SG OXYGEN SERVICE

\* In case of wetted parts of Brass, max, pressure shall be 250 kg/cm

### **Ordering Example: BCE-AE5-J1-SG**

Notes: • Due to continuous improvement, the specification may vary from time to time.