

Digital pressure gauge with transmission function

Clean connection



Live display with delivery 4-20mA

DPG-T2

Applications

Need to clean the process

- Hydraulics and pneumatics
- Pumps and compressors
- Service tasks

Special features

- Measuring ranges from -1 ... 5 to 0 ... 1000 bar
- Accuracy $\leq \pm 0.5\%$ or $\pm 0.25\%$
- Can be corrected
- Option: LCD screen or led screen



SPECIFICATIONS

STANDARD VERSION: 65mm

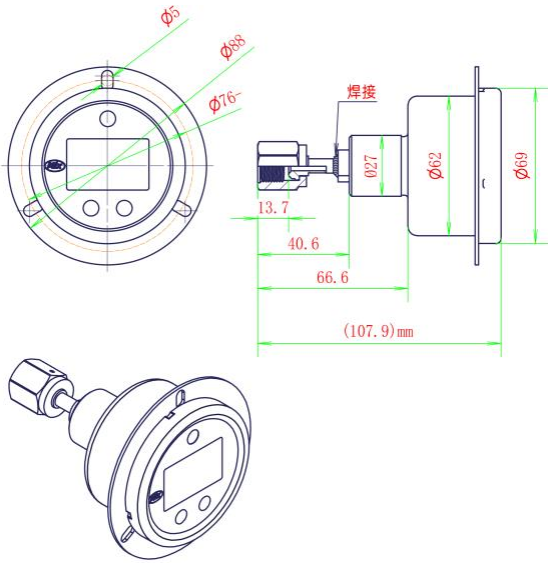
Accuracy	: $\pm 0.5\%$ Of F.S. $\pm 0.25\%$ Of F.S.
Process temperature	: $-10 \sim 80$ °C
Compensating	: $-5 \sim 40$ °C
Operating pressure	: 75% of the scale value
Over pressure limit	: 30% for pressure ranges up to 600 kg/cm^2 15% for pressure ranges above 600 kg/cm^2

Case	: AIS I304 SS
Socket	: AIS I316 SS
Sensor	: Diffusion Silicon
Sensor element	: PH grade steel
Digits	: 5-Digit
Panel	: PVC

Protection	: IP 55
Power Supply	: 12~32VDC
Control Signal	: 4~20mA . RS-485 . 0-10V
Connection	: Aviation plug
Update	: 100 ms
Screen	: LCD

Dimensions mm

Digital pressure gauge with transmission function



Measuring ranges

Gauge pressure							
bar	Measuring range	0 ... 5	0 ... 10	0 ... 20	0 ... 50	0 ... 100	0 ... 160
kg/cm²	Overpressure limit	10	20	40	100	200	320
	Burst pressure	12	25	50	120	800	1,000
	Measuring range	0 ... 250	0 ... 400	0 ... 600			
	Overpressure limit	500	800	1,200			
	Burst pressure	1,200	1,700	2,400			
psi	Measuring range	0 ... 145	0 ... 300	0 ... 600	0 ... 1,450	0 ... 2,000	0 ... 3,000
mmH₂O	Overpressure limit	290	580	1,450	2,900	4,640	7,250
	Burst pressure	360	725	1,740	11,600	14,500	17,400
	Measuring range	0 ... 5,000	0 ... 7,500	0 ... 10,000¹⁾			
	Overpressure limit	11,600	17,400	21,750			
	Burst pressure	24,650	34,800	43,500			

1) DG-10-S can only display up to 9999 psi

Vacuum and +/- measuring ranges			
bar	Measuring range	-1 ... +5	-1 ... +10
	Overpressure limit	10	20
	Burst pressure	12	25
psi	Measuring range	-30 inHg ... +72 psi	-30 inHg ... +145 psi
	Overpressure limit	145	290
	Burst pressure	170	360

HOW TO ORDER

BASIC MODEL

DPG-T2

CODE C

NOMINAL SIZE(mm) 63

C

TYPE OF MOUNTING

A4

A4 SURFACE/WALL/PROJECTION MOUNTING WITH BOTTOM ENTRY

A1 DIRECT BOTTOM ENTRY

A5 DIRECT LOWER BACK ENTRY

A2 DIRECT CENTRE BACK ENTRY

A6 FLUSH PANEL BACK ENTRY WITH FRONT FLANGE

GAUGE CONNECTION

B7

B1 VCR

Note:Connections like PT/PF/Flairde /UNF/G/R eac.can be orivuded on request.
Non standard connections can be provided through adaptors.

RANGE

0-10

REFER TABLES

PRESSURE UNITS

D7

D1 bar D4 kg/cm² D7 According to order

D2 psi D5 mmH₂O

D3 Mpa D6 mH₂O

OPTIONS

C19

FOR NON STANDARD PRODUCTS/OPTIONAL ITEMS, PLEASE CONTACT FACTORY FOR DELNERY AND MINMUM QUANTITY OF ORDER.

C3 CUSTOM DESIGNED PANEL	C9 SSTAG PLATE
C7 OXYGEN SERVICE(WITHOUT DAMPENING LIQUIDS)	C20 HELIUM LEAK TEST
C12 AISI 316 SS CASE & BEZEL	C24 TRIANGLE TYPE SURFACE MOUNTING PLATE
C1 FIVE POINT CALIBRATION CERTIFICATE	C6 CASE WITH ROLLING TYPE BEZEL
C13 FIVE POINT CALIBRATION CERTIFICATE(LABORATORY)	C18 ACCURACY $\pm 0.25\%$ OF FS.
C19 Shell Waterproof jacket	C20 Control Signal RS-485
	C21 Electrical connection:DIN 175301-803 C

* GASKET,BOD & FILLING PLUG OF VITON/NBR

Ordering Example:

DPG-T1-C-A1-B7-0/10kg/cm²-D7-C19