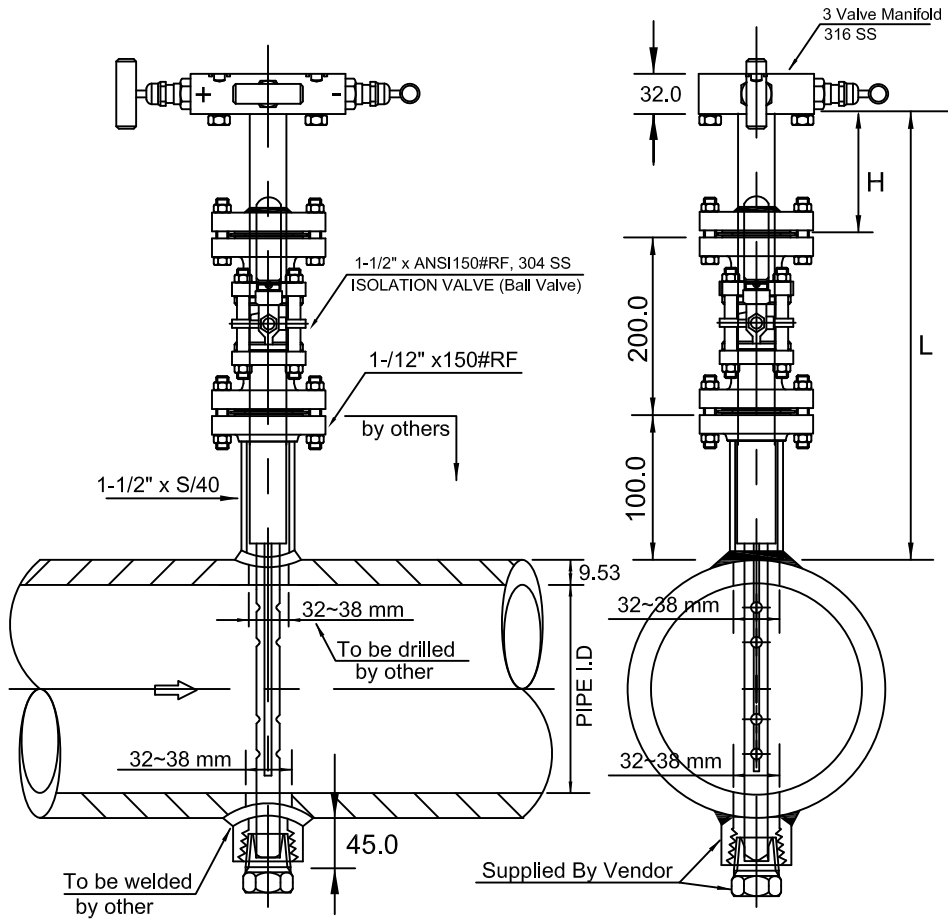


ITEM	TAG NO.	SIZE	PIPE I.D (Sch. No.)	PIPE WALL Thick.	Sensor MAT'L	Welding Stud MAT'L	Other Parts MAT'L	Packing Gland MAT'L	H	L (±9.53)
1	FE-9101	14"	336.6	9.53	316 SS	304 SS	304 SS	Graphite	130.0	430.0

Notes:

1. All dimensions are in MM except flanges size and bolts.



Multi-port Pitot Tube (IBF-26)

Energy Flow

麥司儀器有限公司/ENERGY FLOW

		PROJECT NO.	CUSTOMER	DRAWN BY	DATE
				Mark	Nov./06/2023
		P.O NO.	DRAWING NO.	CHKD BY	DATE
				Mark	Nov./06/2023
Rev.	Description	Date	CHKD BY	SCALE: FREE	APPD BY DATE