

DIAPHRAGM SEAL

THREADED PROCESS CONNECTION,
DIAPHRAGM SEALS

BBR-A



SPECIAL FEATURES

- All-plastic design
- Metal-free
- Process connection with thread for direct mounting, but
- also suitable for bonding (PVC-U) or welding (PP,PVDF)

APPLICATIONS

- Process instrumentation of chemical plants
- Plating industry
- Waste water treatment
- Fertiliser industry



SPECIAL FEATURES

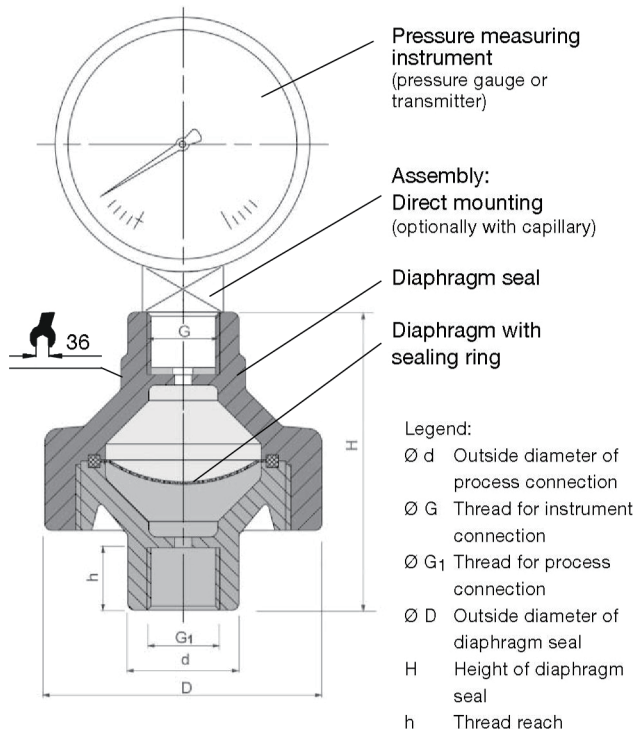
STANDARD VERSUIB:(FOR FLANGE SIZE 1/14" AND ABOVE)

Range	: 0.....1 bar to 0.....10 bar
Process Temperature	: 0~120.c
Instrument Connection	: 3/8" BSP(F)
Process Connection	: d28 G1/4" npt or G1/4" pt : d35 G1/2"npt or G1/2"pt :

Material:

- PVC-U (polyvinyl chloride), grey RAL 7011
- PP (polypropylene), grey-beige RAL 7032
- PVDF (polyvinylidene fluoride), opaque, yellowish white

Multi-purpose connection, optionally via threaded neck,
bonding neck(PVC-U) or welding neck (PP,PVDF)



Dimensions in mm						Weight in kg		
d	DN ¹⁾	G/G	D	H+1,5	H	PVC-U	PP	PVDF
28	20	1/4"	80	86	18	0.25	0.18	0.31
35	25	1/4"	80	86	22	0.46	0.32	0.59