

POLYPROPYLENE PRESSURE GAUGE (4 1/2")

SOLID FRONT



BBL



SPECIAL FEATURES

- POLYPROPYLENE CASE WITH SS MENSURING SYSTEM
- WETTED PARTS AISI 316L STAINLESS STEEL
- ACCURACY AS PER ANSI B40.1 GRADE 2A UP TO 0.5%
- SOLID FRONT DESIGN FEATURES BAFFLE WALL INTERPOSED BETWEEN THE SENSING SYSTEM THE WINDOW AND A PRESSURE RELIEVING BACK FOR INCREASED SAFETY
- STANDARD FOLLOWED ANSI/ASME-40.1 IN GENERAL



APPLICATIONS

USED IN CHEMICALS/REFINERY/FERTILIZER/PETROCHEMICALS/
 PHARMACEUTICAL/ POWER/CEMENT /OIL /SUGAR/
 FOOD & BEVERAGE, PHARMACEUTICAL, CRYOGENIES.
 FOR FLUID & GASEOUS MEDIA WHICH ARE NOT HIGHLY VISCOUS.

SPECIFICATIONS

STANDARD VERSION: 115 (4 1/2")

Accuracy	: ±0.5% Of F.S.
Ambient temperature	: -75°C to +65 °C
Process temperature	: Max. 200°
Operating pressure	: 75% of the Scale Value
Over pressure limit	: 30% for Pressure Ranges upto 600kg/cm ² 15% for pressure Ranges above 600kg/cm ²

Case	: Fibre Glass reinforced Polypropylene
Ring	: Fibre Glass reinforced Polypropylene
Bourdon	: AISI 316L SS
Socket	: AISI 316 LSS
Movement	: AISI 304 SS
Jointst	: TIG Argon Arc Welding

Protection	: IP65
Dial	: Aluminium back graduation on white background
Pointer	: Aluminium, black coloured, micrometer zero adjustable
Window	: Shatterproof/Safety Glass
Blow off Disc	: AISI 304 SS
Gask	: Neoprene

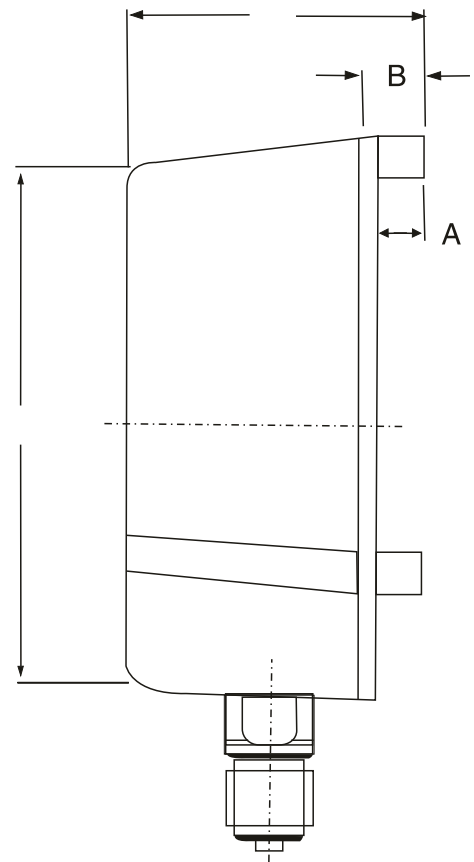
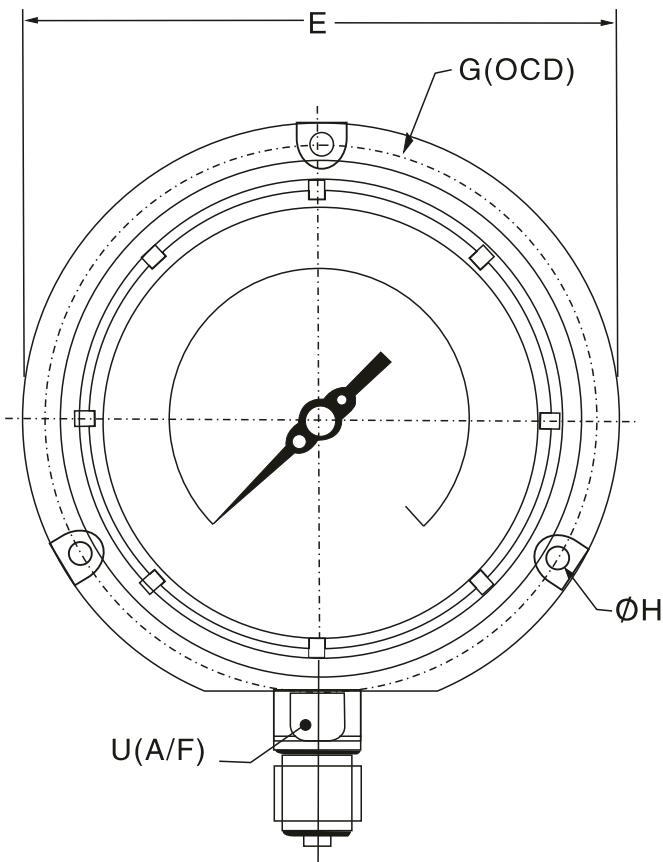
GLYCERINE FILLED VERSION (OPTION PY)

Accuracy	: ±1.0% of F.S.
Ambient Temperature	: +65 C
Process Temperature	: +15C/65 °C
Blow off Disc	: AISI 304SS
Dampening liquids	: Glycerine 98% (Others available as Option)
Other Features	: Refer Specification of Standard Version

DRY BUT FILLABLE VERSION

Option Code	: Fillable Dampening Liquid
FG	: For Glycerine 98%
FS	: For Silicon Oil

TYPE1



NS	A	B	C	E	F	G	H	U	Weight gram(Wint Box)U
115	12	16	73	148	129	137.5	6	22	933gm

(* WEIGHTS MENTIONED ARE FOR STANDARD VERSION.)

Notes: • Drawings are not to scale. • All Dimensions are in mm. NS = Nominal Size
 • H-Arrangement for Mounting type 1

RANGE TABLE

Note: MIX offers National/International Scales like kPa, MPa, bar, psi, kg/cm² & Dual Scale like KPa with psi, KPa with bar, bar with psi or Equivalent scales as per the requirement can be provided on request.

Following are the example tables for kg/cm² & psi scales

PRESSURE RANGE

SINGLE SCALE (kg/cm ² or bar)					
RANGE	RANGE	RANGE	RANGE	RANGE	RANGE
0/0.6	0/4	0/25	0/160	0/1000	
0/1	0/6	0/40	0/250	0/1400	
0/1.6	0/10	0/60	0/400	0/1600	
0/2.5	0/16	0/100	0/600		
DUAL SCALE PSI with kg/cm ² or PSI with bar					
RANGE (PSI)	RANGE (kg/cm ²)	RANGE (PSI)	RANGE (kg/cm ²)	RANGE (PSI)	RANGE (kg/cm ²)
0/15	1	0/350	25	0/4000	280
0/30	2	0/500	35	0/5000	350
0/60	4	0/600	40	0/6000	400
0/85	6	0/900	60	0/10000	700
0/150	10	0/1500	100	0/15000	1000
0/225	16	0/2225	160	0/20000	1400
0/300	21	0/3000	200	0/23000	1600

VACUUM & COMPOUND

DUAL SCALE (inHg with PSI & mmHg with kg/cm ²)					
RANGE	RANGE	RANGE	RANGE	RANGE	RANGE
inHg with PSI	mmHg with kg/cm ²	inHg with PSI	mmHg with kg/cm ²	inHg with PSI	mmHg with kg/cm ²
-30/0	-760/0	-30/60	-760/3	-30/200	-760/20
-30/15	-760/1	-30/100	-760/6	-30/300	-760/24
-30/30	-760/0	-30/150	-760/9	-30/300	-760/24
SINGLE SCALE (kg/cm ²)					
RANGE	RANGE	RANGE	RANGE	RANGE	RANGE
-1/0	-1/1.5	-1/5	-1/15	-1/15	-1/15
-1/0.6	-1/3	-1/9	-1/24	-1/24	-1/24

ACCESSORIES †

EB	COOLING TOWER	*	NEEDLE VALVE	DX	DIAPHRAGM SEAL
EC	GAUGE COCK	EG	SNUBBER		
ED	GAUGE SAVER	EH	SIPHON		

†Refer Datasheet for complete specifications

*Refer catalogue for Valves & Manifolds

HOW TO ORDER

BASIC MODEL

CODE 1
NOMINAL SIZE(mm) 115

TYPE OF MOUNTING

A4 WALL/SURFACE/PROJECTION MOUNTING
 WITH BOTTOM ENTRY
 A1 DIRECT BOTTOM ENTRY

GAUGE CONNECTION

B16 1/4"BSP(M)	B6 1/4"BSPT(M)
B11 1/4"NPT(M)	B12 3/8"NPT(M)
B20 3/8"BSP	B14 3/8"BSPT(M)
B10 1/2" BSP(STANDARD)	B15 1/2"BSPT(M)
B13 1/2"NPT(M)STANDARD	

ADAPTORS CAN BE PROVIDED FOR NON STD.FLARED & FEMALE CONNECTIONS

Note:Connections like PT/PF/Flairde /UNF/G/R eac.can be orivuded on request.

Non standard connections can be provided through adaptors.

RANGE

REFER TABLES

OPTIONS

FOR NON STANDARD PRODUCTS/OPTIONAL ITEMS, PLEASE CONTACT FACTORY FOR DELNERY AND MINMUM QUANTITY OF ORDER.

C50 FIBRE GLASS REINFORCED POLYPROPYLENE BCD	C16 SHATTERPROOF/SAFETY GLASS(3 mm thk)
C51 ACCURACY1.0% OF ES.	C46 TESTED TO NACE STANDARDS
C28 MONEL BOURDON & MONEL SOCKET(MONEL VERSION)	C10 FILLABLE LIQUID SILICON OIL*
C1 FIVE POINT CALI BRATION CERTIFICATE	C11 FILLABLE LIQUID GLYCERINE
C3 CUSTOM DESIGNED DIAL	C31 MOVEMENT WITH DAM PENING JELLY
C30 PLEXI GLASS(3mm thk)	C2 INTEGRAL DAMPENING SCREW IN AISI 316 SS
C7 OXYGEN SERVICE(WITHOUT DAMPENING LIQUIDS)	C13 DAMPENING LIQUID MINERALLIQUID FILLED
C32 KNIFE EDGE POINTER	C14 DAMPENING LIQUID FLOUROLUBE FILLED
C35 DOAL TAG MARKING	C4 DAM PENING LIQUID GLYCERINE FILLED
C9 SS TAG PLATE	C5 DAM PENING LIQUID SILICON OIL FILLED*
C20 HELIUMLEAK TEST	C8 ENCLOSURE PROTECTION IP 65
	C29 ENCLOSURE PROTECTION IP 66
	C52 PHENOL CASE

BBL

I

A4

B16

0-10
kg/cm²

C16

Ordering Example:

BBL-I-A4-B16-0/10kg/cm²-C16

Note: ● Due to continuous improvement, th~specification may vary from time to time.