

ALL SS PRESSURE GAUGE

ELECTRIC CONTACT TYPE

DPS-01



SPECIAL FEATURES

- STAINLESS STEEL CASE & MEASURING SYSTEM
- High current capacity
- Optional switch form
- Precise switching reaction

APPLICATIONS

FOOD & BEVERAGE, PHARMACEUTICAL, CRYOGENICS, CHEMICAL & PETROCHEMICAL INDUSTRIES, CONVENTIONAL & NUCLEAR POWER PLANTS, PUMPS, HYDRO-CLEANING MACHINES, PRESSES, ENGINE COMPRESSORS, TURBINES, DIESEL ENGINES & REFRIGERATING PLANTS.

SPECIFICATIONS

STANDARD VERSION: 100mm, 75 mm

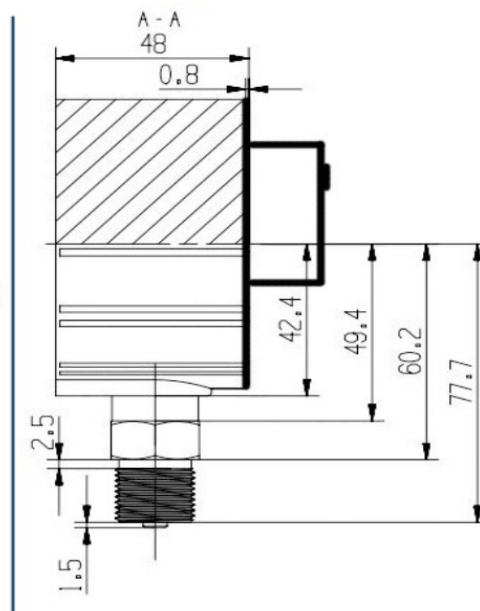
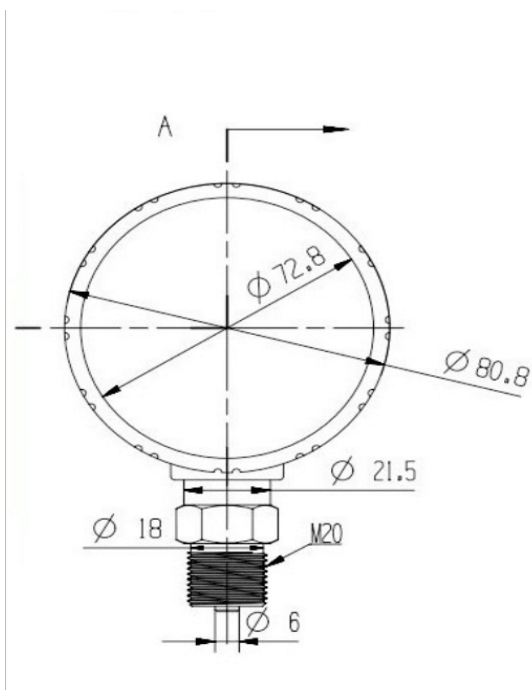
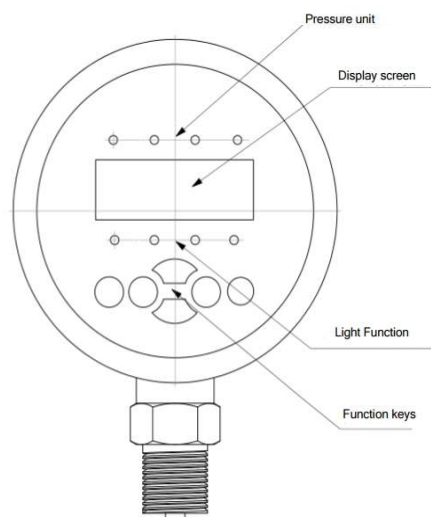
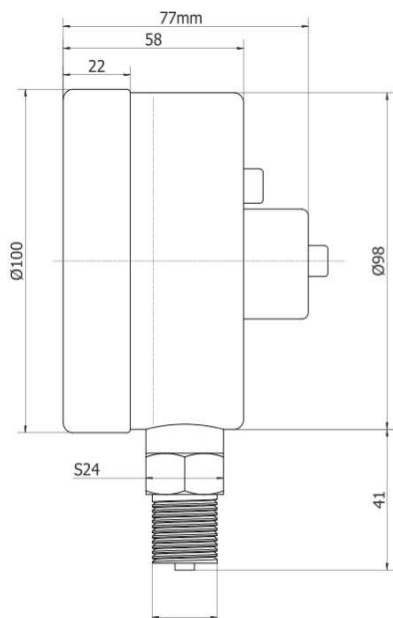


Accuracy	: ±0.5% Of F.S.
Ambient temperature	: -20°C to +60 °C
Process temperature	: Max. 80 °C
Electric Wiring	: Junction Box
Contact Setting	: Over on arc of 270° through a knob placed on front of lens
Operating pressure	: 75% of the Scale Value
Over pressure limit	: 30% for pressure ranges

Case	: AIS I304 SS . PP
Diaphragm	: AIS I 316 SS
Socket	: AIS I316 SS

Protection	: IP 55
Power	: 110 . 220 VAC OR DC 24 V
Relay	: OMRON
Current capacity	: 10A
Blow off Difscct	: Neoprene
Gask	: Neoprene

DIMENSIONS-STANDARD VERSION



RANGE TABLE

Note: MIX offers National/International Scales like Pa, MPa, bar, psi, kg/cm² & Dual Scale like KPa with psi, KPa with bar, bar with psi or Equivalent scales as per the requirement can be provided on request.

Following are the example tables for kg/cm² & psi scales

PRESSURE

SINGLE SCALE (kg/cm ² or bar)					
RANGE	RANGE	RANGE	RANGE	RANGE	RANGE
0/1.6	0/10	0/60	0/400	0/1000	
0/2.5	0/16	0/100	0/600	0/1400	
0/1	0/25	0/160		0/1600	
0/6	0/40	0/250			
DUAL SCALE PSI with kg/cm ² or PSI with bar					
RANGE (PSI)	RANGE (kg/cm ²)	RANGE (PSI)	RANGE (kg/cm ²)	RANGE (PSI)	RANGE (kg/cm ²)
0/25	0/1.6	0/400	0/28	0/4000	0/280
0/35	0/2.5	0/500	0/35	0/5000	0/350
0/60	0/4	0/600	0/40	0/6000	0/400
0/100	0/7	0/1000	0/70	0/10000	0/700
0/150	0/10	0/1500	0/100	0/15000	0/1000
0/200	0/14	0/2000	0/140	0/20000	0/1400
0/300	0/20	0/3000	0/200	0/23000	0/1600

*Note: For ranges above 1600 kg/cm², please consult factory.

VACUUM & COMPOUND

DUAL SCALE (inHg with PSI & mmHg with kg/cm ²)					
RANGE	RANGE	RANGE	RANGE	RANGE	RANGE
inHg with PSI	mmHg with kg/cm ²	inHg with PSI	mmHg with kg/cm ²	inHg with PSI	mmHg with kg/cm ²
-30/15	-760/1	-30/100	-760/6	-30/300	-760/20
-30/30	-760/2	-30/150	-760/9	-30/350	-760/24
-30/60	-760/3	-30/200	-760/15		
SINGLE SCALE (kg/cm ²)					
RANGE	RANGE	RANGE	RANGE	RANGE	RANGE
-1/0.6	-1/3	-1/9	-1/24		
-1/1.5	-1/5	-1/15			

ACCESSORIES †

EC GAUGE COCK	ED GAUGE SAVER	EG SNUBBER
EX DIAPHRAGM SEAL	* NEEDLE VALVE	EH SIPHON

†Refer Datasheet for complete specifications

*Refer catalogue for Valves & Manifolds

HOW TO ORDER

BASIC MODEL

CODE	D	F
NOMINAL SIZE	100mm	75mm

TYPE OF MOUNTING

A4 WALL/SURFACE/PROJECTION MOUNTING WITH BOTTOM ENTRY
 A1 DIRECT BOTTOM ENTRY
 A5 DIRECT LOWER BACK ENTRY
 A6 FLUSH PANEL BACK ENTRY WITH FRONT FLANGE
 A3 BACK ENTRY WITH MOUNTING BRACKET

GAUGE CONNECTION

B16 1/4"BSP(M)	B12 3/8"NPT(M)	B15 1/2"BSPT(M)
B9 3/8"BSP(M)STANDARD	B13 1/2"BSP(M)STANDARD	B17 M12*1(M)STANDARD
B10 1/2"NPT(M)STANDARD	B6 1/4"BSPT(M)	B18 M16*1.5(M)
B11 1/4"NPT(M)	B14 3/8" PT(M)	B19 M20*1.5"(M)

Note:Connections like PT/PF/Flairde /UNF/G/R eac.can be orivuded on request.

Non standard connections can be provided through adaptors.

RANGE

REFER TABLES

OPTIONS

FOR NON STANDARD PRODUCTS/OPTIONAL ITEMS, PLEASE CONTACT FACTORY FOR DELNERY AND MINMUM QUANTITY OF ORDER.

C28 MONEL BOURDON & SQCKET(MONEL VERSION)	C46 TESTED TO NACE STANDARDS
C12 AISI 316 SS CASE & BEZEL	C3 CUSTOM DESIGNED DIAL
C1 FIVE POINTER CALIBRATION CERTIFICATE	C2 DAMPENING SCREW IN AISI 316 SS
C48 FOLLABLE LIQUID DIEL ECTRIC LIL	C36 INTERNAL OVERPRESSURE STOP
C9 SS TAG PLATE	C37 INTERNAL VACUUM STOP
C35 DIAL TAG MARKING	C40 CASE WITH BALL BURNINSHING FINISH
C20 HELIUM LEAK TEST	C41 CASE WITH BUFFING FINISH

ELECTRIC CONTACTS

A),MAGNETIC SNAP ACTION TYPE(220VAC,10Amp.)

D1 Single;NORMALLY CLOSED
D2 Double;NORMALLY CLOSED+NORMALLY OPEN
D3 Single;NORMALLY OPEN
D4 Double;NORMALLY OPEN+NORMALLY CLOSED
D5 Double;NORMALLY CLOSED
D6 Double ;NORMALLY OPEN

B),INDUCTIVE TYPE(110 VAC, 10 Amp.) (DC 24 V, 10 Amp.)

D10 Single;NORMALLY OPEN
D11 Single;NORMALLY CLOSED
D12 Double;NORMALLY CLOSED+NORMALLY OPEN
D13 Double;NORMALLY OPEN
D14 Double;NORMALLY CLOSED
D15 Double;NORMALLY CLOSED+NORMALLY CLOSED

Ordering Example:

BBJ-F-A4-B16-0/10kg/cm²-C46

Note: ● Due to continuous improvement, th~specification may vary from time to time.