

SS CASE PRESSURE GAUGE

DIAPHRAGM TYPE

BBO-C



SPECIAL FEATURES

- CASE & MEASURING SYSTEM IN SS
- STATIC PRESSURE UP TO 45kg/cm²
- SINGLE SIDE STATIC PRESSURE SUSTAINABLE
- DRY OR LIQUID FILLED
- ACCURACY UP TO 1.0% F.S.
- STANDARD FOLLOWED IN GENERAL EN 837-1

APPLICATIONS

CHEMICALS/REFINERY/NUCLEAR/AEROSPACE/FERTILIZER
 /PETROCHEMICALS/PHARMACEUTICAL/POWER/CEMENT/
 SUGAR/FOOD & BEVERAGES/PULP/PAPER & ALLIED
 PROCESS INDUSTRIES.



SPECIFICATIONS

STANDARD VERSION: 100mm, 150mm

Accuracy	: ±1.0% Of F.S.
Ambient temperature	: -25°C to +65°C
Process temperature	: Max. 120°C
Static pressure	: 100kg/cm ² Above ranges 600mmWC 40kg/cm ² upto ranges 6000mmWC

Case	: AISI 304 SS, 316 SS
Ring	: AISI 304 SS,
Diaphragm	: AISI 316L SS (Double Diaphragm)
Nuts & Bolts	: AISI 304 SS, 316 SS
Purging Port Plug	: 2*1/4"NPT(F) AISI 304 S
Chamber	: AISI 304 Stainless Steel
Movement	: AISI 304 Stainless Steel With Internal Limits stops for Min. & Max. Pressure

Protection	: IP65
Dial	: Aluminium, black graduation on white background
Pointer	: Aluminium, black coloured, micrometer Zero Adjustable
Window	: Shatter proof/Sheet Glass
Case Gasket	: Neoprene
Case Gasket	: Neoprene
Element Chamber Filling	: Silicon Oil (Others as Optional)
Diaphragm Sealing Gasket	: Viton
Scale Amplitude	: 1800 to 2700 (Depends on Range)
Temperature Error:	-When the temperature of the pressure element deviates from +20°C, Rising temperature: +0.6%/10°C of true scale value Falling temperature: -0.6%/10°C of true scale value

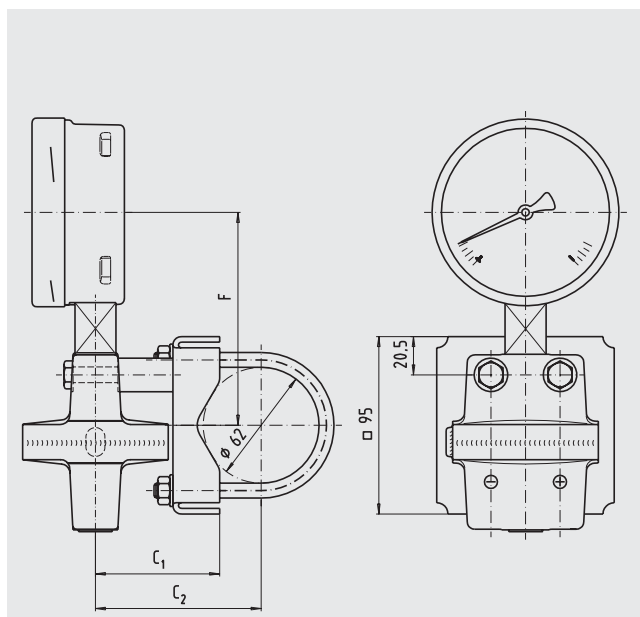
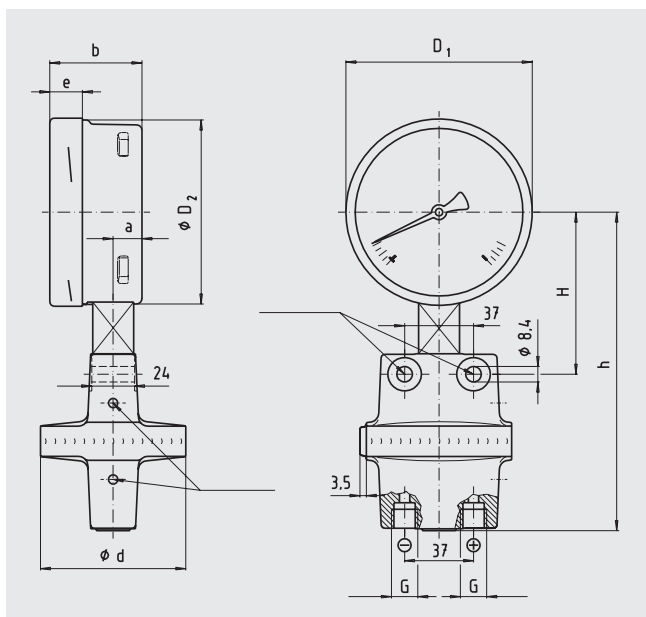
Dimensions in mm

Standard version

Connection 2 x G 1/4 female, lower mount (LM)

Option

Mounting bracket for wall or pipe mounting



NS	Scale range	Dimensions in mm												Weight in kg
		a	b	D ₁	D ₂	d	e	G	h ±1	H	F	C ₁	C ₂	
100	≤ 0.25 bar	15.5	49.5	101	99	140	17.5	G 1/4	160	90	114	96	118	2.80
100	> 0.25 bar	15.5	49.5	101	99	78	17.5	G 1/4	170	87	114	66	88	1.95
160	≤ 0.25 bar	15.5	49.5	161	159	140	17.5	G 1/4	190	120	144	96	118	3.5
160	> 0.25 bar	15.5	49.5	161	159	78	17.5	G 1/4	200	117	144	66	88	2.7

RANGE TABLE

Note: MIX offers National /International Scales like kPa,MPa,bar ,psi ,kg/cm² & Dual Scale like kPa with psi,kPa with bar,bar with psi or Equivalent scales as per the requirement can be provided on request Scales for floor are also available..

Following are the example tables for kg/cm² & psi scales

PRESSURE RANGE

SINGLE SCALE					
MmWC	MmWC	MmWC	Kg/cm ²	Kg/cm ²	Kg/cm ²
0/250	0/1000	0/4000	0/1	0/2.5	0/10
0/400	0/1600	0/6000	0/1.6	0/4	0/16
0/600	0/2500		0/2	0/6	0/25

Note: Other Scales are available on customer request.

ACCESSORIES †

DIAPHRAGM SEALE(WITH/WITHOUT CAPILLARY) * NEEDLE VALVE.

† Refer Datasheet for complete specifications * Refer catalogue for Valves & Manifolds

HOW TO ORDER

BASIC MODEL

CODE	D	F
NOMINAL SIZE(mm)	100	150

TYPE OF MOUNTING

- A4** SURFACE ,MOUNTING WITH BOTTOM ENTRY
- A1** DIRECT BOTTOM ENTRY
- A6** FLUSH PANEL BACK ENTRY WITH FRONT FLANGE
- A7** 2" PIPE/YOKEMOUNTING BOTTOM ENTRY

GAUGE CONNECTION

- B23** 1/4"NPT(F)X2 NOS.STANDARD
- B24** 3/8"BSP(F)X2 NOS.
- B25** 1/2"BSP(M)X2 NOS.
- B26** 1/2"NPT(F)X2 NOS.

Note:Connections like PT/PF/F laired/UNF/G/R ect.can be provided on request.
Non standard connections can be provided through adaptors.

RANGE

REFER TABLES

OPTIONS

FOR NON STANDARD PRODUCTS/OPTIONAL ITEMS,PLEASE CONTACT FACTORY FOR DELIVERY AND MINIMUM QUANTITY OF ORDER.

- C12** AISI 316 SS CASE & BEZEL
- C1** FIVE POINT CALIBRATION CERTIFICATE
- C4** DAMPENING LIQUID GLYCERINE
- C5** DAMPENING LIQUID SILICON OIL (GASKET & FILLING PLUG OF NBR/VITON)
- C62** DIAPHRAGM CHAMBER IN AISI SS 316
- C63** DIAPHRAGM CHAMBER IN MONEL (WITH MONEL DIAPHRAGM)
- C64** DIAPHRAGM IN MONEL
- C65** STATIC PRESSURE UPTO 100kg/cm²
- C16** SHATTERPROOF/SAFETY GLASS
- C19** TOUGHENED GLASS
- C3** CUSTOM DESIGNED DIAL
- C30** PLEXI GLASS
- C35** DIAL TAG MARKING
- C9** SS TAG PLATE
- C46** TESTED TO NACE STANDARDS

Note:For static Pressure above 200kg/cm² please Consult Factory.

ELECTRIC CONTACTS:(WITH IP PROTECTION UPTO IP 55,DAMPENING LIQUID OPTIONS ARE NOT AVAILABLE)

A)MAGNETIC SNAP ACTION TYPE(230V AC 1Amp.)
(48V DC 0.5Amp.)

B)INDUCTIVE TYPE(220V AC 0.4Amp)
AVAILABLE ONLY ABOVE 400mm WC

- D1** Single;NORMALLY CLOSED
- D2** Double;NORMALLY CLOSED+NORMALLY OPEN
- D3** Single;NORMALLY OPEN
- D4** Double;NORMALLY CLOSED+NORMALLY CLOSED
- D5** Double;NORMALLY CLOSED
- D6** Double; NORMALLY OPEN
- D7** BOOSTER FOR CURRENT UPTO 5Amp
- D8** SPDT
- D9** DPDT
- D10** Single;NORMALLY OPEN
- D11** Single;NORMALLY CLOSED
- D12** Double;NORMALLY CLOSED+NORMALLY OPEN
- D13** Double; NORMALLY OPEN
- D14** Double;NORMALLY CLOSED
- D15** Double;NORMALLY CLOSED+NORMALLY CLOSED

Ordering Example:

BBO-C-F-A4-B23-0-250mmWc-C12

Note: ● Due to continuous improvement, the specification may vary from time to time.