

# GAUGE COCK

BCD

ALL STAINLESS STEEL



## SPECIAL FEATURES

- PTFE ADJUSTABLE PACKING INSTALLED BELOW OPERATING THREADS TO PREVENT MEDIA CONTAMINATION OR LUBRICANT WASHOUT OF OPERATING THREADS
- SPINDLE FOR LONGER DURABLE OPERATION

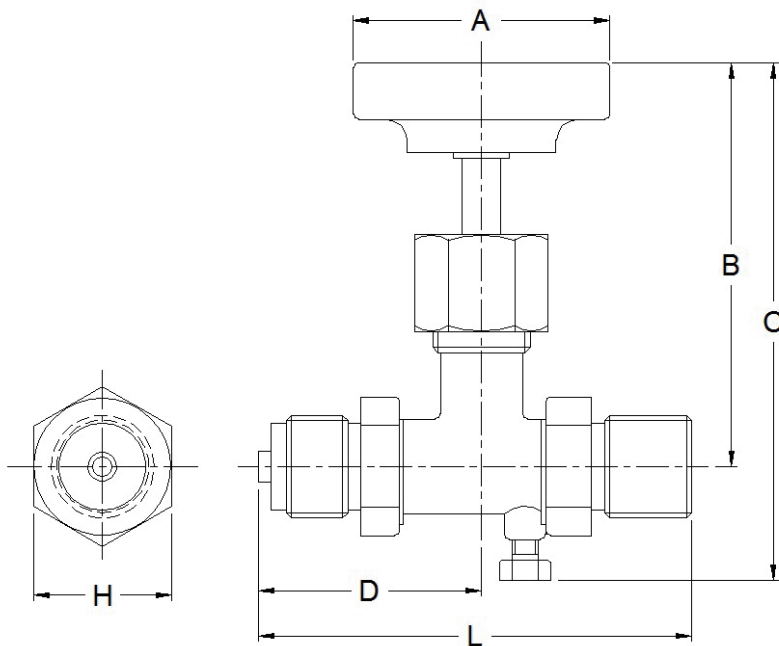
## SPECIFICATIONS

### STANDARD VERSION

Body	:	AISI 316 SS
Handle	:	AISI 316 SS
Working Temperature	:	Up to 180°C
Gasket seal	:	PTFE
Nominal pressure	:	280kg/cm <sup>2</sup>



## DIMENSIONS – STANDARD VERSION



A	B	C	D	L	H	Weight in gram (With Box)
55	78	105	35	75	27	460

## HOW TO ORDER

### BASIC MODEL

BCC

### TYPE

G8

G8 2WAY -ROUND BAR

### BODY

AF1

AF1 CARBON STEEL

AF2 AISI 304 SS

AF3 AISI 316 SS

### SIZE & END CONNECTION [INLET x OUTLET]

AG1

AG1 1/4"(FxF) AG2 1/2"(FxF)

AG3 1/4"(MxF) AG4 1/2"(MxF)

AG5 1/4"(MxM) AG6 1/2"(MxM)

AG7 3/8"(FxF)

AG8 3/8"(MxF)

AG9 3/8"(MxM)

IN CASE OF 3 WAY NEEDLE VALVE , ONE CONNECTION WILL BE MALE &amp; ANOTHER TWO WILL BE FEMALE

EXAMPLE : AG4 1/2"(MxF)MEANS 1/2"(MxFxF)

### THREAD TYPE

AH1

AH1 BSP

AH2 NPT

### OPTIONS

K5

FOR NON STANDARD PRODUCTS/OPTIONAL ITEMS,PLEASE CONTACT FACTORY FOR DELIVERY AND MINIMUM QUANTITY OF ORDER.

K5 MATERIALTESTCERTIFICATE

K6 VENTHOLE

### Ordering Example:

**BCC-G8-AF1-AG1-AH1-K5**

Notes: • Due to continuous improvement, the specification may vary from time to time.