

ALL SS PRESSURE GAUGE

BOURDON TYPE

BBD



SPECIAL FEATURES

- STAINLESS STEEL CASE & MEASURING SYSTEM
- COST EFFECTIVE
- DRY OR LIQUID FILLED
- ACCURACY UP TO 0.5%
- STANDARD FOLLOWED IN GENERAL EN 837-1/ & ANSI/ ASME B40.1 FOR NPS 125MM

APPLICATIONS

FOOD & BEVERAGE, PHARMACEUTICAL, CRYOGENICS, CHEMICAL & PETROCHEMICAL INDUSTRIES, CONVENTIONAL & NUCLEAR POWER PLANTS, PUMPS, HYDRO-CLEANING MACHINES, PRESSES, ENGINE COMPRESSORS, TURBINES, DIESEL ENGINES & REFRIGERATING PLANTS



SPECIFICATIONS

STANDARD VERSION: 100mm, 125mm, 150mm

Accuracy	: ± 1.0% Of F.S.
Ambient temperature	: -25°C to +60 °C
Process temperature	: Max. 350 °C
Operating pressure	: 75% of the scale value
Over pressure limit	: 30% for pressure ranges up to 600 kg/cm ² 15% for pressure ranges above 600 kg/cm ²

Case	: AISI 316 SS, 304 SS
Ring	: AISI 316 SS, Bayonet Type
Socket	: AISI 316 SS (Directly Welded to Case)
Bourdon	: AISI 316 SS
Movement	: AISI 304 SS 316 SS
Joints	: TIG argon arc welding

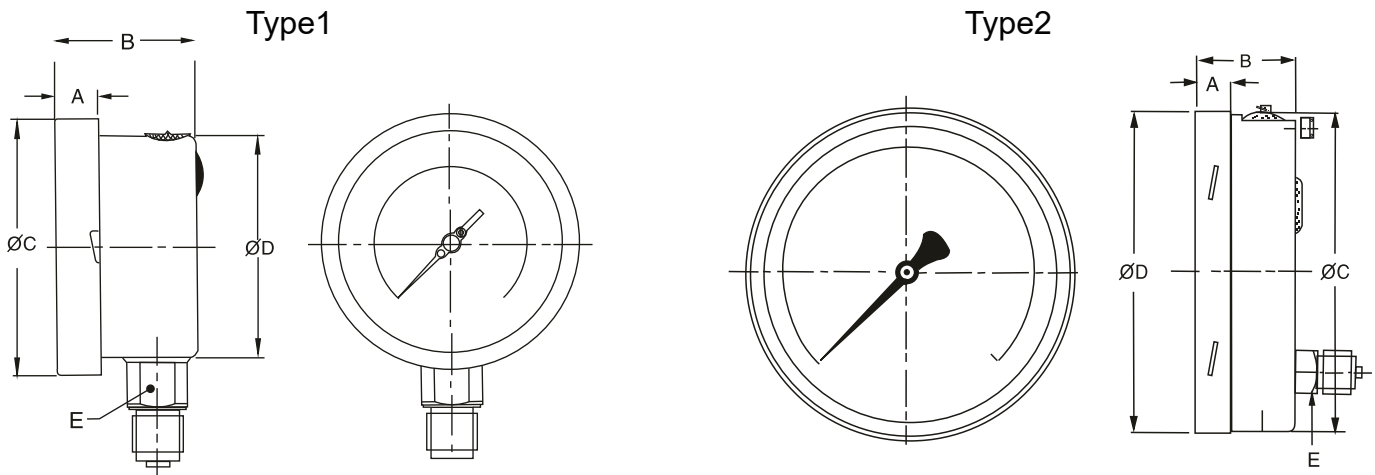
Protection	: IP67
Dial	: Aluminium, black graduation on white background
Pointer	: Aluminium, black coloured Micrometer zero adjustable
Window	: Plexi Glass
Gasket	: Silicon Rubber
Filling Plug	: Neoprene

GLYCERINE FILLED VERSION (OPTION PY)

Accuracy	: ±1.6% Of F.S.
Ambient Temperature	: Maximum. 65 °C
Process Temperature	: +15°C/65°C
Window	: Plexi Glass
Dampening Liquids	: Glycerine 98% (others available as option)
Other Features	: Refer Specification of Standard Version

DRY BUT FILLABLE VERSION

Option Code	: Fillable Dampening Liquid
C4	: For Glycerine 98%
C5	: For silicon Oil



NS	A	B	ØC	ØD	E	Weight in gram (With Box)
100	12.5	48.9	107	98	22	630.0
125	11	48	131	119	22	732.0
150	15	49	161	149	22	1060

NS	A	B	ØC	ØD	E	Weight in gram (With Box)
100	17.5	49	99	101	22	550.0
150	17.5	51.5	159	162	22	1060.0

RANGE TABLE

Note: MIX offers National/International Scales kPa, Mpa, bar, psi, kg/cm² & Dual Scale like kPa with psi, kPa with bar, bar with psi or Equivalent scales as per the requirement can be provided on request. Following are the example tables for kg/cm² & Psi scales.

PRESSURE

SINGLE SCALE (kg/cm ² or bar)					
RANGE	RANGE	RANGE	RANGE	RANGE	RANGE
0/0.6	0/4	0/25	0/160	0/1000	0/1000
0/1	0/6	0/40	0/250	0/1400	0/1400
0/1.6	0/10	0/60	0/400	0/6000	0/6000
0/2	0/16	0/100	0/600		

DUAL SCALE PSI with kg/cm ² or PSI with bar					
RANGE (PSI)	RANGE (kg/cm ²)	RANGE (PSI)	RANGE (kg/cm ²)	RANGE (PSI)	RANGE (kg/cm ²)
0/15	0/1	0/400	0/28	0/4000	0/280
0/30	0/2	0/500	0/35	0/5000	0/350
0/60	0/4	0/600	0/40	0/6000	0/400
0/100	0/7	0/1000	0/70	0/10000	0/700
0/150	0/10	0/1500	0/100	0/15000	0/1000
0/200	0/14	0/2000	0/140	0/20000	0/1400
0/300	0/20	0/3000	0/200	0/30000	0/1600

*Note: For ranges above 1600 kg/cm², please consult factory.

VACUUM & COMPOUND

DUAL SCALE (inHg with PSI & mmHg with kg/cm ²)					
RANGE inHg with PSI	RANGE mmHg with kg/cm ²	RANGE inHg with PSI	RANGE mmHg with kg/cm ²	RANGE inHg with PSI	RANGE mmHg with kg/cm ²
-30/0	-760/0	-30/60	-760/3	-30/200	-760/15
-30/15	-760/1	-30/100	-760/6	-30/300	-760/20
-30/30	-760/2	-30/150	-760/9	-30/350	-760/24

SINGLE SCALE (kg/cm ²)			
RANGE	RANGE	RANGE	RANGE
-1/0	-1/1.5	-1/5	-1/15
-1/0.6	-1/3	-1/9	-1/24

RECEIVER

LINEAR SCALE	SQUARE ROOT SCALE
(0-100% Internal Scale)	(0-100% Internal Scale)
External Scale	External Scale
0.2-1kg/cm ² or 3-15psi	0.2-1kg/cm ² or 3-15psi
(0-100% linear scale)	(0.2-1kg/cm ²)

FREON (WITH TEMPERATURE SCALE)

AMMONI (WITH TEMPERATURE SCALE)

DUAL SCALE (Inch Hg to PSI)	
RANGE	RANGE
-30/150	0-300
-30/300	0-5300

RANGE(kg/cm ²)	RANGE(Psi)
-1 to 12.5	-30- 150
-1 to 16	-30- 300
-1 to 25	0- 300

ACCESSORIES †

EB COOLING TOWER	ED GAUGE SAVER	EG SNUBBER
EC GAUGE COCK\	* NEEDLE VALVE	EH SIPHON
		DX DIAPHRAGM SEAL

Refer Datasheet for complete specifications * Refer Catalogue for Valves & Manifolds

HOW TO ORDER

BASIC MODEL

CODE	D	E	F
NOMINAL SIZE(mm)	100	125	150

TYPE OF MOUNTING

A4 WALL/SURFACE/PROJECTION MOUNTING WITH BOTTOM ENTRY	A6 FLUSH PANEL BACK ENTRY WITH FRQNT FLANGE
A1 DIRECT BOTTOM ENTRY	A7 2"PIPE/YOKE MOUNTING*
A5 DIRECT CENTER BACK ENTRY	A3 BACK ENTRYWITH MOUNTING BRACKET
A2 DIRECT CENTER BACK ENTRY(FOR NS 100mm ONLY)	A8 BOTTOM ENTRY WITH FRONT FLANGE

*ASK FACTORY FOR DRAWINGS IF REQUIRED.(OTHER TYPES OF MOUNTING CAN BE PROVIDED ON REQUEST)

GAUGE CONNECTION

B16 1/4" BSP(M)	B12 3/8" BSP(M)	B15 1/2" BSPT(M)
B9 3/8" NPT (M) STANDARD	B13 1/2" BSP(M) STANDARD	B17 M12*1(M)
B10 1/2" NPT (M)	B6 1/4" BSPT(M)	B18 M16*1.5(M)
B11 1/2" PT (M)	B14 3/8" BSP	B19 M20*1.5(M)

**Note:Connections like PT/PF/Flaired/UNF/G/R ect.can be provide on request.
Non standard connections can be provided through adaptors.**

RANGE

REFER TABLES

OPTIONS

FOR NON STANDARD PRODUCTS/OPTIONAL ITEMS,PLEASE CONTAC FACTORY FOR DELIVERY AND MINIMUM QUANTITY OF ORDER.

C27 ACCURACY ± 0.5% OF F.S. (EXCEPT WITH OPTION DAMPENING LIQUID, MAXIMUM READING POINTER)	C9 SS TAG PLATE
C28 MONEL BOURDON & SOCKET (MONEL VERSION)	C47 DIAL TAG MARKING
C12 AIS 316 SS CASE & BEZEL	C20 HELIUM LEAK TEST
C1 FIVE POINT CALIBRATION CERTIFICATE	C46 TESTED TO NACE STANDARDS
C10 FILLABLE LIQUID SILICON OIL*	C3 CUSTOM DESIGNED DIAL
C11 FILLABLE LIQUID GLYCERINE	C13 DAMPENING LIQUID MINERAL LIQUID FILL ED
C29 ENCLOSURE PROTECTION IP 66	C14 DAMPENING LIQUID FLOUROLUBE FILLED
C30 PLEXI GLASS	C4 DAMPENING LIQUID GLYCERINE FILLED
C16 SHATTERPROOF/SAFETY GLASS	C5 DAMPENING LIQUID SILICON OIL FILLED*
C19 TOUGHENED GLASS	C2 DAMPENING SCREW IN AISI 316SS
C31 MOVEMENT WITH DAMPENING JELLY	C48 OVERLOAD STOP
C7 OXYGEN SERVICE (WITHJOUT OPTION DAMPENING LIQUID)	C37 INTERNAL VACUUM STOP
C32 KNIFE EDGE POINTER	C38 RECEIVER RANGE
C23 MAXIMUM READING POINTER (WITHOUT OPTIONS:FILLED VERSION GAUGES)	C21 FREON RANGE(WITH TEMPERATURE SCALE)
C6 CASE WITH ROLLING TYPE BEZEL	C22 AMMONIA RANGE(WITH TEMPERATURE SCALE)
C33 ZERO ADJUSTABLE POINTER	C39 EPOXY PAINTED CASE & BEZEL
	C40 CASE WITH BALL BURNISHING FINISH
	C41 CASE WITH BUFFING FINISH
	C42 ON-OFF TYPE VENT PLUG
	C43 FIXED POINTER
	C44 OVER RANGE PROTECTION 150% OFF .S.
	C45 ELECTRO POLISHED CASE & BEZEL
	C35 BLOW-OUT PROTECTION : BACK WARD
	C36 Glycerine filled version: + -1.0% of F.S

* GASKET, BOD & PLUG OF VITON /NBR

Ordering Example:

BBD-D-A4-B16-0/10kg/cm²-C9

Note: ● Due to continuous improvement, th~specification may vary from time to time.

BBD

D

A4

B16

0-10
kg/cm²

C9