

# DIAPHRAGM SEAL

## SCREWED FLUSH TYPE

BBT



### SPECIAL FEATURES

- ONE PIECE CONSTRUCTION
- NO BOLTS/GASKET
- FLUSH DIAPHRAGM

### APPLICATIONS

DIAPHRAGM SEALS ARE PROVIDED IN THE INSTRUMENTS LIKE PRESSURE GAUGES, SWITCHES, TRANSMITTERS IN ORDER TO ISOLATE THE SENSING ELEMENT FROM THE MAIN SERVICE DUE TO ITS CORROSIVE, VISCOUS AND SEDIMENTED NATURE AND TO AVOID CLOGGING AND SOLIDIFICATION. THESE SEALS ARE USED IN APPLICATIONS WHERE THE PROCESS MEDIA & PULSATION MAY ADVERSELY AFFECT GAUGE LIFE TYPICALLY USED IN SPRAY PAINTING, WASTE WATER TREATMENT & CHLORINATION PLANT ETC.



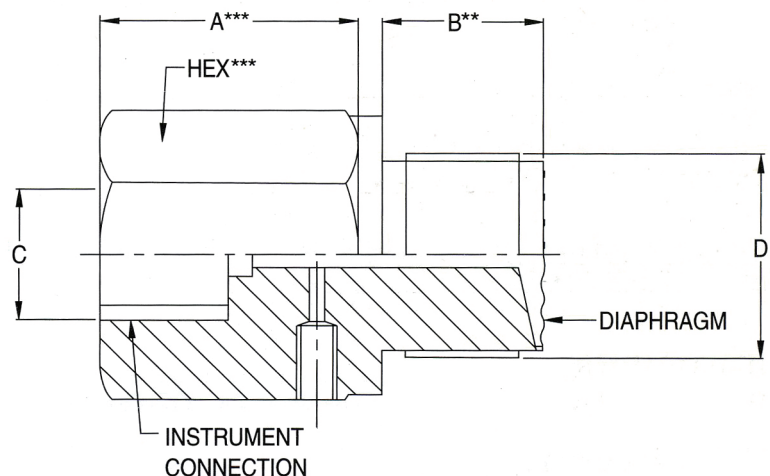
### SPECIFICATIONS

#### STANDARD VERSION:

Range	: 4 kg/cm <sup>2</sup> to 250 kg/cm <sup>2</sup> †
Process Temperature	: - 40°C to 200°C or as per fill fluid
Instrument Connection	: 1/4" BSP (F)
Process Connection	: 3/4" BSP (M)
Diaphragm	: AISI 316L SS
Chamber	: AISI 316L SS
Fill Fluid	: Silicon Oil – DC 200

† The Pressure Gauges, used with this Diaphragm seal, will be provided with NS 63 mm. Pressure Gauge will be provided maximum to NS 100 mm and maximum 63 mm internal system.

A <sup>***</sup>	B <sup>**</sup>	C	D <sup>*</sup>	HEX <sup>***</sup>
25	20~30	1/4" BSP (F)	3/4"~2" BSP (M)	32~70



- \* FROM 3/4" BSP to BSP
- \*\* TO SUIT PROCESS CONNECTION
- \*\*\* As Per Thread Size

Notes: • Drawings are not to scale. • All Dimensions are in mm.

## HOW TO ORDER

### BASIC MODEL

BBT

### OPTIONS

FOR NON STANDARD PRODUCTS/OPTIONAL ITEMS, PLEASE CONTACT FACTORY FOR DELIVERY AND MINIMUM QUANTITY OF ORDER.

### CHAMBER

- Y1 AISI 316LSS  
 Y2 AISI 304SS  
 Y3 HASTELLOY 'C'

Y1

### DIAPHRAGM

- T8 AISI 316L SS  
 T9 HASTELLOY 'C'

T8

### INSTRUMENT CONNECTION

- Q4 1/2" NPT (F)      Q1 1/2" BSP (F)  
 Q3 1/4" NPT (F)      Q2 1/4" BSP (F)  
 Q5 3/8" NPT (F)      Q6 3/8" BSP (F)

Q4

### PROCESS CONNECTION

- O15 1" NPT (M)      O16 3/4" NPT (M)      O17 2" BSP (M)      O12 1/2" NPT (M)\*  
 O18 1 1/2" NPT (M)      O19 1" BSP (M)      O20 3/4" BSP (M)  
 O21 2" NPT (M)      O22 1 1/2" BSP (M)      O11 1/2" BSP (M)\*

O15

\* Suitable for Pressure Transmitters only.

### FILLING FLUIDS

- T1 FLUROLUBE 4.2 [-45 TO 175°C / -49 TO 374° F]  
 T3 FLUROLUBE 6.3 [-40 TO 235°C / -40 TO 455° F]  
 T5 FLUROLUBE FS5 [-40 TO 150°C / -40 TO 302° F]  
 T7 FOOD GRADE OIL [-20 TO 140°C / -4 TO 284° F]  
 T9 SILICON DC 200-10CS [-40 TO 205°C / -40 TO 401° F]  
 T8 SYLTHERM XLT [-75 TO 150°C / -102 TO 302° F]  
 T10 HALOCARBON OIL

T1

### TYPE

- G1 WITHOUT CAPILLARY      G2 WITH CAPILLARY

G1

### CAPILLARY

- H1 AISI 304 SS      H2 AISI 316 SS

H1

### CAPILLARY COVERED WITH ARMOUR

- I1 AISI 304 SS      I2 AISI 316 SS      I3 PVC

I1

### CAPILLARY LENGTH(Max up to 2Mtrs.)

IN METERS (e.g. 1.5 = 1.5 METERS 2.0 = 2 METERS)

1Mtr.

### OTHER OPTIONS

- K3 HELIUM LEAK TEST      K4 DRY SEAL ONLY WITHOUT INSTRUMENT

K3

### Ordering Example:

**BBT-Y1-T8-Q4-O15-T1-G1-H1-I1-1Mtr.-K3**

Note : ● Due to continuous improvement, the specification may vary from time to time.