

ALL SS PRESSURE GAUGE

zero adjustable pointer on window

BBE



SPECIAL FEATURES

- STAINLESS STEEL CASE & MEASURING SYSTEM
- SOCKET & CASE WELDED
- PROTECTION IP 65/ IP 66
- DRY OR LIQUID FILLED
- ACCURACY UP TO 0.5%
- STANDARD FOLLOWED IN GENERAL EN 837-1

APPLICATIONS

FOOD & BEVERAGE, PHARMACEUTICAL, CRYOGENICS, CHEMICAL & PETROCHEMICAL INDUSTRIES, CONVENTIONAL & NUCLEAR POWER PLANTS, PUMPS, HYDRO-CLEANING MACHINES, PRESSES, ENGINE COMPRESSORS, TURBINES, DIESEL ENGINES & REFRIGERATING PLANTS.



SPECIFICATIONS

STANDARD VERSION: 100mm, 150mm

Accuracy	: ±1.0% Of F.S.
Ambient temperature	: -25°C to +60 °C
Process temperature	: Max. 300°C
Operating pressure	: 75% of the scale value
Over pressure limit	: 30% for pressure ranges up to 400 kg/cm ² 15% for pressure ranges above 400 kg/cm ²

Case	: AISI 304 SS
Ring	: AISI 304 SS, Bayonet Type
Socket	: AISI 316 SS (Directly Welded to Case)
Bourdon	: AISI 316 SS
Movement	: AISI 304 SS
Jointst	: TIG argon arc welding

Protection	: IP65
Dial	: Aluminium, black graduation on white background
Pointer	: Aluminium, black coloured, fixed
Window	: Sheet Glass
Blow off Disc	: Neoprene
Gasket	: Neoprene
Filling Plug	: Neoprene

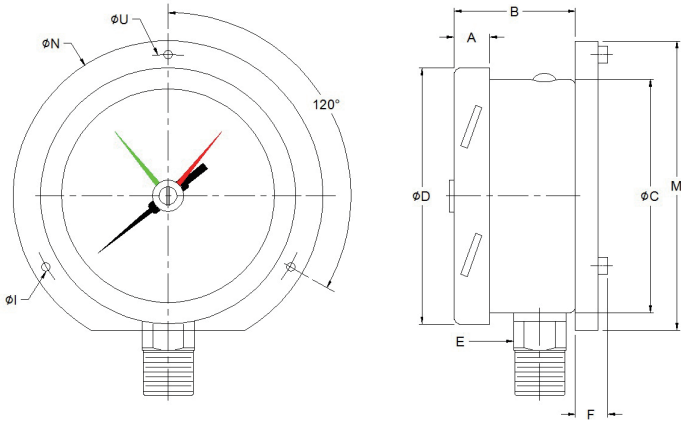
GLYCERINE FILLED VERSION

Accuracy	: ±1.0% of F.S.
Ambient Temperature	: Maximum. 65 °C
Process Temperature	: Maximum. 300 °C
Dampening liquids	: Glycerine 98% (others available as option)
Other Features	: Refer Specification of Standard Version

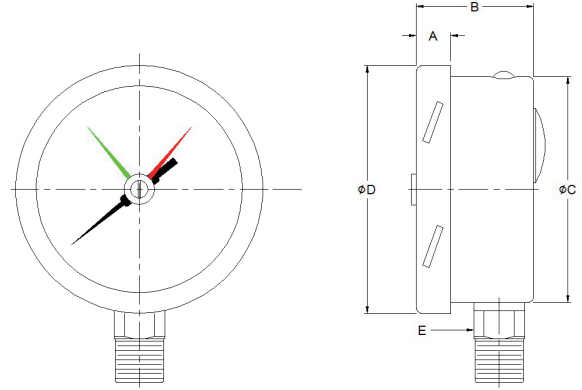
DRY BUT FILLABLE VERSION

Option Code	: Fillable Dampening Liquid
C4	: For Glycerine 98%
C5	: For silicon Oil

TYPE 1



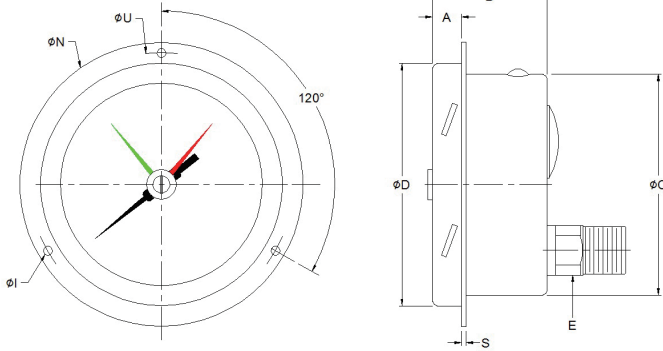
TYPE 2



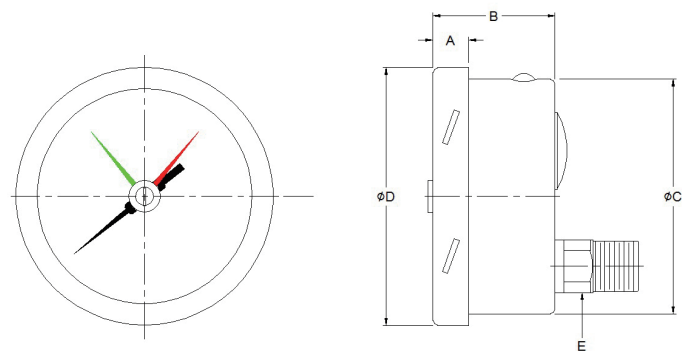
NS	A	B	ØC	ØD	E	F	ØI	ØN	ØU	M	Weight in gram (With Box)
100	17.5	49	99	101	22	15	4.8	132	116	128	645.0
150	17.5	51.5	159	162	22	15	5.8	196	178	188	1280.0

NS	A	B	ØC	ØD	E	Weight in gram (With Box)
100	17.5	49	99	101	22	560.0
150	17.5	51.5	159	162	22	1100.0

TYPE 4



TYPE 3



NS	A	B	ØC	ØD	E	ØI	ØN	ØU	S	Weight in gram (With Box)
100	17.5	49	99	101	22	4.8	132	116	1	630.0
150	17.5	51.5	159	162	22	5.8	196	178	1	1180.0

NS	A	B	ØC	ØD	E	Weight in gram (With Box)
100	17.5	49	99	101	22	550.0
150	17.5	51.5	159	162	22	1060.0

RANGE TABLE

Note: MIX offers National/International Scales like kPa, MPa, bar, psi, kg/cm² & Dual Scale like KPa with psi, KPa with bar, bar with psi or Equivalent scales as per the requirement can be provided on request.

Following are the example tables for kg/cm² & psi scales

SINGLE SCALE (kg/cm ² or bar)					
RANGE	RANGE	RANGE	RANGE	RANGE	RANGE
0/0.6	0/4	0/25	0/160	0/1000	
0/1	0/6	0/30	0/250	0/1400	
0/1.6	0/10	0/70	0/400	0/600	
0/2.5	0/16	0/100	0/600		

DUAL SCALE PSI with kg/cm ² or PSI with bar					
RANGE (PSI)	RANGE (kg/cm ²)	RANGE (PSI)	RANGE (kg/cm ²)	RANGE (PSI)	RANGE (kg/cm ²)
0/15	0/1	0/400	0/28	0/4000	0/280
0/30	0/2	0/500	0/35	0/5000	0/350
0/60	0/4	0/600	0/40	0/6000	0/400
0/100	0/7	0/1000	0/70	0/10000	0/700
0/150	0/10	0/1500	0/100	0/15000	0/1000
0/200	0/14	0/2000	0/140	0/20000	0/1400
0/300	0/20	0/3000	0/200	0/23000	0/1600

*Note: For ranges above 1600 kg/cm², please consult factory.

VACUUM & COMPOUND

DUAL SCALE (inHg with PSI & mmHg with kg/cm ²)					
RANGE	RANGE	RANGE	RANGE	RANGE	RANGE
inHg with PSI	mmHg with kg/cm ²	inHg with PSI	mmHg with kg/cm ²	inHg with PSI	mmHg with kg/cm ²
-30/0	-760/0	-30/60	-760/3	-30/200	-760/15
-30/15	-760/1	-30/100	-760/6	-30/300	-760/20
-30/30	-760/2	-30/150	-760/9	-30/350	-760/24

SINGLE SCALE (kg/cm ²)			
RANGE	RANGE	RANGE	RANGE
-1/0	-1/1.5	-1/5	-1/15
-1/0.6	-1/3	-1/9	-1/24

RECEIVER

LINEAR SCALE	SQUARE ROOT SCALE
(0-100% Internal Scale)	(0-10sq-Roo Internal Scale)
External Scale	External Scale
0.2-1kg/cm ² or 3-15psi	0.2-1kg/cm ² or 3-15psi
(0-100% linear scale)	(0.2-1kg/cm ²)

FRECON (WITH TEMPERATURE SCALE)

DUAL SCALE (Inch Hg to PSI)		RANGE (kg/cm ²)	RANGE (psi)
RANGE	RANGE	-1 to 12.5	-30 - 150
-30/150	0-150	-1 to 16	-30 - 300
-30/300	0-500	-1.25	0-300

ACCESSORIES †

EB COOLING TOWER	ED COOLING TOWER	EG SNUBBER
EC GAUGE COCK	* NEEDLE VALVE	EH SIPHON
		DX DIAPHRAGM SEAL

†Refer Datasheet for complete specifications

*Refer catalogue for Valves & Manifolds

HOW TO ORDER

BASIC MODEL

CODE	D	F
NOMINAL SIZE(mm)	100	150

TYPE OF MOUNTING

A4 WALL/SURFACE/ROJECTION MOUNTING WITH BOTTOM ENTRY
 A1 DIRECT BOTTOM ENTRY
 A5 DIRECT CENTRE BACK ENTRY
 A6 FLUSH PANEL BACK ENTRY WITH FRONT FLANGE
 A3 BACK ENTRY WITH MOUNTING BRACKET

GAUGE CONNECTION

B16 1/4"BSP(m)	B12 3/8"BSPT(M)	B15 1/2" PT(M)
B9 3/8"NPT(M)STANDARD	B13 1/2"BSP(M)STANDARD	B17 M12*1(M)
B10 1/2"NPT(M)STANDARD	B6 1/4"NPT(M)	B18 M16*1.5T(M)
B11 1/4"BSPT(M)	B14 3/8"BSP(M)	B19 M20*1.5(M)

**Note:Connections like PT/PF/Flaired/UNF/G/R etc.Can be provided onrequest.
 Non standard connections can be provided through adaptors.**

RANGE

REFER TABLES

OPTIONS

FOR NON STANDARD PRODUCTS/OPTIONAL ITEMS,PLEASE CONTACT FACTORY FOR DELIVERY AND MINIMUM QUANTITY OF ORDER.

B27 ACCURACY+0.5%OF F.S. (EXCEPT WITH OPTION DAMPENING LIQUID, MAXIMUM READING POINTER)	C9 SS TAG PLAT OXYGEN SERVICE
C28 MONEL BOURDON & SOCKET(MONEL VERSION)	C35 DIAL TAG MARKING
C12 AISI 316 SS CASE & BEZEL	C20 HELIUM LEAK TEST
C1 FIVE POINT CALIBRATION CERTIFICATE	C46 TESTED TO NACE ST
C10 FILLABLE LIQUID SILICON OIL*	C3 CUSTOM DESIGNED DIAL
C11 FILLABLE LIQUID GLYCERINE	C13 DAMPENING LIQUID MINERAL LIQUID FILL ED
C29 ENCLOSURE PROTECTION IP 66	C14 DAMPENING LIQUID FLOUROLUBE FILLED
C30 PLEXI GLASS	C4 DAMPENING LIQUID GLYCERINE FILLED
C16 SHATTERPROOF/SAFETY GLASS	C5 DAMPENING LIQUID SILICON OIL FILLED*
C19 TOUGHENED GLASS	C2 DAMPENING SCREW IN AISI 316 S
C7 OXYGEN SERVICE (WITHOUT,OPTION DAMPENING LIQUID)	C36 INTERNAL OVER PRESSURE STOP
C32 KNIFE EDGE POINTER	C37 INTERNAL VACUUM STOP
C23 MAXIMUM READING POINTER (WITHOUT OPTIONS:FILLED VERSION GAUGES)	C38 RECEIVER RANGE
C6 CASE WITH ROLLING TYPE BEZEL	C21 FREON RANGE(WITH TEMPERATURE SCALE)
C33 ZERO ADJUSTABLE POINTER	C22 AMMONIA RANGE(WITH TEMPERATURE SCALE)
	C39 EPOXY PAINTED CASE & BEZEL
	C42 ON-OFF TYPE VENT PLUG
	C43 FIXED POINTER
	C44 OVER RANGE PROTECTION 150% OF E S.
	C34 ENCL OSURE PROTECTION IP67

* GASKET, BOD & PLUG OF VITON/NBR

Ordering Example:

BBE-D-A1-B16-0/10kg/cm²-C9

Note: ● Du to continuous improvement,the specification may vary from time to time.