

ALL SS PRESSURE GAUGE

CAPSULE TYPE

BBK



SPECIAL FEATURES

- STAINLESS STEEL CASE & SURING
- MOST SUITABLE FOR AIR & GASEOUS APPLICATION
MEASUREMENT FROM 10 mbar TO 600 mbar
- BOTTOM & BACK MOUNTING
- VACUUM & COMPOUND RANGES
- STANDARD FOLLOWED IN GENERAL EN8337-3



APPLICATIONS

FOOD & BEVERAGES, PHARMACEUTICAL, CONVENTIONAL & NUCLEAR
POWER PLANTS, DRAFT MEASUREMENT

SPECIFICATIONS

STANDARD VERSION: 63mm, 100mm, 125mm, 150mm

| | |
|---------------------|--|
| Accuracy | : $\pm 1.6\%$ of F.S. |
| Ambient temperature | : -25°C to $+65^{\circ}\text{C}$ |
| Process temperature | : Max. 200°C |
| Operating pressure | : 75% of the scale value |

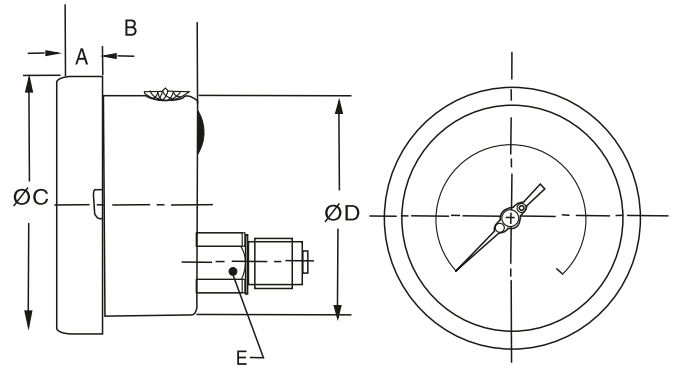
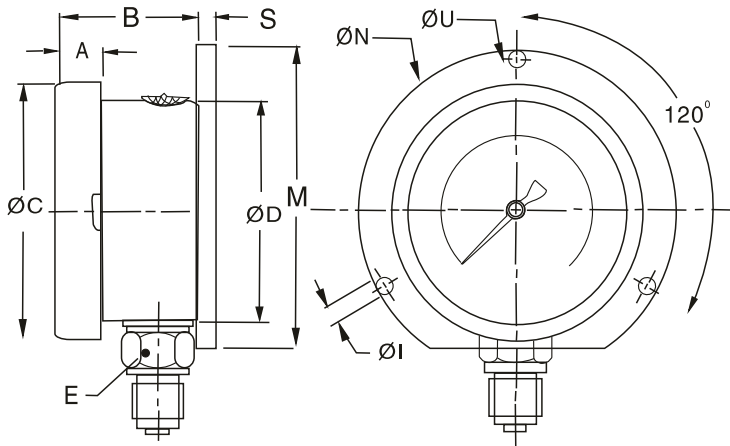
| | |
|----------|---------------------------------------|
| Case | : AISI 304 SS, Steel plating |
| Ring | : AISI 304 SS, Bayonet Type, cu |
| Socket | : AISI 316 SS, cu |
| Jointst | : TIG argon arc welding |
| Capsule | : AISI 316 SS (With Laser Welded), cu |
| Movement | : AISI 316 SS, cu |

| | |
|---------------|--|
| Over Pressure | : $\pm 1.5\%$ F.S.D. |
| Pointer | : IP65 |
| Dial | : Aluminium, black graduation on white background background with zero adjustment provision) |
| Pointer | : Aluminium, black coloured, fixed |
| Window | : Sheetproof/Safety Glass |
| Gasket | : Neoprene |

DIMENSIONS-STANDARD VERSION

TYPE1

TYPE2

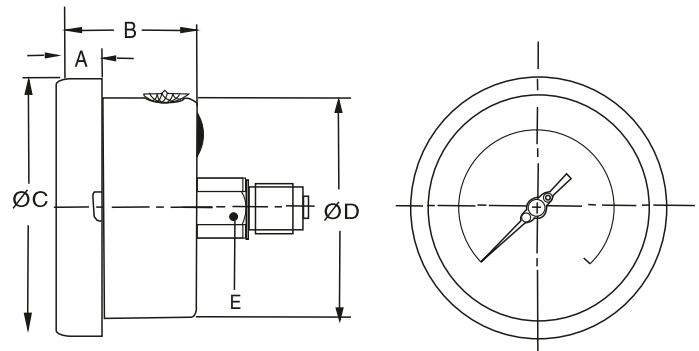
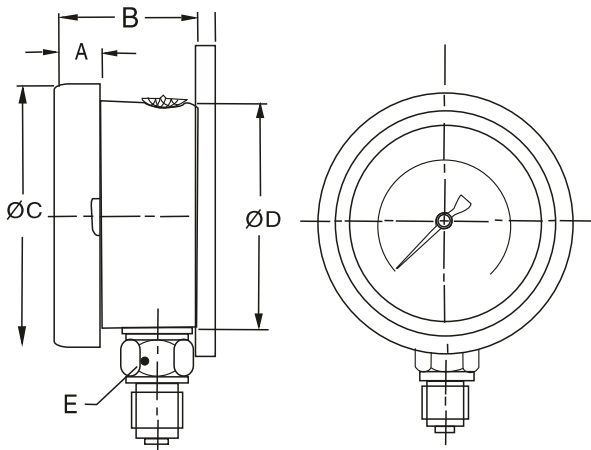


| NS | A | B | ØC | ØD | E | S | ØN | ØI | ØU | M | Weight in gram (With Box) |
|----|------|----|----|------|-------|---|----|----|----|----|---------------------------|
| 63 | 12.5 | 46 | 77 | 66.5 | A/F14 | 5 | 88 | 5 | 76 | 80 | 320.0 |

| NS | A | B | ØC | ØD | E | Weight in gram (With Box) |
|----|------|----|----|------|-------|---------------------------|
| 63 | 12.5 | 46 | 77 | 66.5 | A/F14 | 270.0 |

TYPE3

TYPE4



| NS | A | B | ØC | ØD | E | Weight in gram (With Box) |
|-----|------|----|-----|-----|----|---------------------------|
| 63 | 7 | 47 | 66 | 63 | 17 | 420 |
| 100 | 12.5 | 48 | 110 | 100 | 22 | 605 |
| 150 | 12.5 | 49 | 161 | 149 | 22 | 1115 |

| NS | A | B | ØC | ØD | E | Weight in gram (With Box) |
|-----|------|----|-----|-----|----|---------------------------|
| 100 | 12.5 | 48 | 110 | 100 | 22 | 605 |
| 125 | 11 | 48 | 131 | 119 | 22 | 665 |
| 150 | 15 | 49 | 161 | 149 | 22 | 1115 |

Notes:•Drawings are not to scale. All Dimensions in mm. •NS =Nominal Size

RANGE TABLE

Note: MIX offers National/International Scales like Pa, mbr Pa, kPa, inWC, MWC, inHg, mmHg & Dual Scale or Equivalent scales as per the requirement can be provided on request. Following are the example tables for mmWC scales

PRESSURE RANGE

| SINGLE SCALE-mmWC | | | mmh ₂ O | |
|-------------------|--------|--------|--------------------|--------|
| RANGE | RANGE | RANGE | RANGE | RANGE |
| 0/250 | 0/600 | 0/1600 | -3000/3000 | 0/6000 |
| 0/400 | 0/1000 | 0/2000 | -5000/5000 | |

VACUUM & COMPOUND RANG

| SINGLE SCALE-mmWC | | | | |
|-------------------|---------|---------|------------|---------|
| RANGE | RANGE | RANGE | RANGE | RANGE |
| -250/0 | -600/0 | -1600/0 | -2520/1500 | -6000/0 |
| -400/0 | -1000/0 | -2000/0 | 4000/0 | |

| SINGLE SCALE-mmWC | | | | |
|-------------------|----------|-----------|-----------|------------|
| RANGE | RANGE | RANGE | RANGE | RANGE |
| -100/400 | -200/400 | -600/1000 | -100/1500 | -2000/4000 |
| -150/250 | 400/600 | -800/1200 | 1500/2500 | |

HOW TO ORDER

BASIC MODEL

| CODE | C | D | E | F |
|------------------|----|-----|-----|-----|
| NOMINAL SIZE(mm) | 63 | 100 | 125 | 150 |

TYPE OF MOUNTING

- A4 WALL/SURFACE/PROJECTION MOUNTING WITH BOTTOM ENTRY
- A1 DIRECT BOTTOM ENTRY
- A5 DIRECT LOWER BACK ENTRY(NOT FOR NS 63mm)
- A2 DIRECT CENTER BACK ENTRY
- A6 FLUSH PANEL BACK ENTRY WITH FRONT FLANGE
- A3 BACK ENTRY WITH MOUNTING BRACKET

GAUGE CONNECTION

| | | |
|-----------------------------------|----------------|-------------|
| B5 1/4"BSP(M)STANDARD FOR NS 63mm | B11 1/4" PT(M) | FOR NS 63mm |
| B9 3/8"BSP(M)STANDARD | B12 3/8"NPT(M) | |
| B10 1/2"NPT(M)STANDARD | B22 1/2"BSP(M) | |

Note:Connections like PT/PF/Flairde /UNF/G/R eac.can be orivuded on request.

Non standard connections can be provided through adaptors.

RANGE

REFER TABLES

OPTIONS

FOR NON STANDARD PRODUCTS/OPTIONAL ITEMS, PLEASE CONTACT FACTORY FOR DELNERY AND MINMUM QUANTITY OF ORDER.

| | |
|--|-------------------------------------|
| C12 AISI 316 CASE & BEZEL | C19 TOUGHENED GLASS |
| C1 FIVE POINT CALI BRATION CERTIFICATE | C7 OXYGEN SERVICE |
| C2 INTEGRAL DAMPENING SCREW IN AISI 316 SS | C35 DIAL TAGMABKING |
| C9 CUSTOM DESIGNED DIAL | C9 SS TAG PLATE |
| C30 PLEXI GLASS | C49 BRASS(CHROME PLATED)MOVEMENT |
| C16 SHATTER PROOF/SAFETY GLALL | C35 BLOW-OUT PROTECTION : BACK WARD |

Ordering Example:

BBK-F-A4-B5-0/600mm Wc-C19

Note: ● Due to continuous improvement, th~specification may vary from time to time.

BBK

F

A4

B5

0-600
mmWC

C19