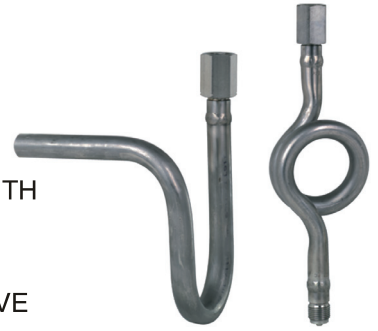


## SPECIAL FEATURES

SIPHONS ARE USED MAINLY TO PROTECT PRESSURE INSTRUMENTS, GAUGES, SWITCHES AND TRANSMITTERS DIRECTLY COMING IN CONTACT WITH HIGH TEMPERATURE PROCESS FLUIDS OR VAPOURS. FILLED WITH CONDENSATION FLUIDS, THESE ARE MOUNTED BETWEEN PROCESS AND PRESSURE INSTRUMENT. THEY REDUCE PROCESS PULSATION, ACT AS HEAT DISPENSER AND GENERATE COOLING EFFECT TO SAVE INSTRUMENT FROM WORKING AT DANGEROUS TEMPERATURE.



## SPECIFICATIONS

MATERIAL
AISI 316 Stainless Steel

PIPE SIZE
Schedule 40*

OPERATING PRESSURE
Carbon steel : 150 kg/cm <sup>2</sup> at 430 °Cmax.
Stainless steel : 135 kg/cm <sup>2</sup> at 450 °Cmax.

\*Pipe size will govern from the instrument/process come cthon sie

Pipe size	A	ΦB	ΦC	ΦD	E
1/2" Sch.40	240	90	21.3	15.7	25
1/2" Sch.80	240	90	21.3	13.9	25
1/2" Sch.160	240	90	21.3	11.7	25

**Coil Type**

Pipe size	A	ΦB	ΦC	ΦD	E
1/2" Sch.40	240	58	21.3	15.7	25
1/2" Sch.80	240	58	21.3	13.9	25
1/2" Sch.160	240	58	21.3	11.7	25

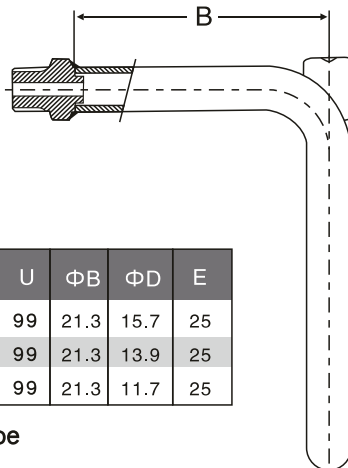
**Coil Type**

Pipe size	A	ΦB	ΦC	ΦD	E
1/2" Sch.40	240	110	21.3	15.7	25
1/2" Sch.80	240	110	21.3	13.9	25
1/2" Sch.160	240	110	21.3	11.7	25

**Pigtail Type**

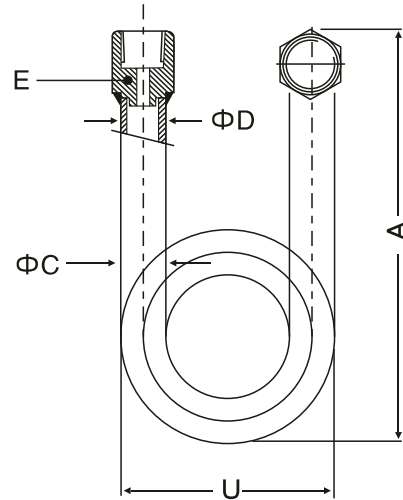
Pipe size	A	ΦB	ΦC	ΦD	E
1/2" Sch.40	240	58	21.3	15.7	25
1/2" Sch.80	240	58	21.3	13.9	25
1/2" Sch.160	240	58	21.3	11.7	25

**Pigtail Type**



Pipe size	A	B	U	ΦB	ΦD	E
1/2" Sch.40	180	155	99	21.3	15.7	25
1/2" Sch.80	180	155	99	21.3	13.9	25
1/2" Sch.160	180	155	99	21.3	11.7	25

"U" Type



## HOW TO ORDER

### BASIC MODEL

FOR NON STANDARD PRODUCTS/OPTIONAL ITEMS, PLEASE CONTACT FACTORY FOR DELIVERY AND MINIMUM QUANTITY OF ORDER.

### TYPE

- G11 COILTYPE
- G12 PIGTAIL TYPE
- G13 'U' TYPE

### MATERIAL OF CONSTRUCTION

- AE3 CARBON STEEL
- AE4 AISI304 SS
- AE1 AISI316 SS
- AE2 AISI316L SS
- AE5 MILD STEEL WITH CHROME PLATING

### CONNECTION

- J1 1/4" BSP (M x F)
- J2 3/8" NPT (M x F)
- J3 1/4" NPT (M x F)
- J4 1/2" BSP (M x F)
- J5 3/8" BSP (M x F)
- J6 1/2" NPT (M x F)
- J7 1/2" NPT (M) x PLAIN END
- J8 1/4" BSP (M x M)
- J9 1/4" NPT (M x M)
- J10 3/8" BSP (M x M)
- J11 3/8" NPT (M x M)
- J12 1/2" BSP (M x M)
- J13 1/2" NPT (M x M)

### OPTIONS

- K7 1/2" SCHEDULE 80 PIPE
- K8 ADAPTOR FOR MALE THREADING
- K9 1/2" SCHEDULE 160 PIPE
- K10 WITH IBR APPROVAL
- K11 SWIVEL FEMALE CONNECTION

Ordering Example:  
**BCF-G11-AE3-J1-K7**

Notes: • Due to continuous improvement, the specification may vary from time to time.

BCF

G11

AE3

J1

K7