

## BBO-B 系列差壓計



BBO-B 系列差壓計適用於化工.化纖.煉鋼.發電廠.核電廠等工業製程中量測各種流體介質差壓.流量等參數.

儀表結構全採用不鏽鋼製成.其中梁微系統(雙巴登管及接液部)具有較強的耐腐蝕及工作環境侵蝕影響.

儀表整體結構經過精算設計.具有體積小.重量輕.穩定性.耐用.外觀簡潔.應用廣泛等優點.

BBO-B 系列差壓計有兩種連接 Type.分別為平行(可與三通閥組合使用)及斜式兩種.可用於不同狀況下安裝.

## 材質

---

Case: AISI304 or AISI316 Ring:

AISI304 OR AISI316

Bellows:AISI316

Socket:AISI316

Movement:AISI316

Jointst:TIG argon arc welding

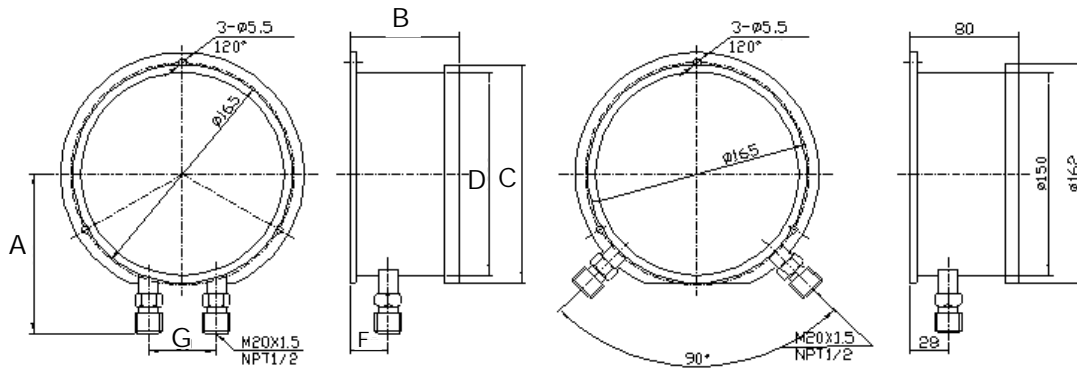
SAFETY GLASS

# RANGE 範圍&進壓

量測範圍		耐壓		精度等級
0~1000	mmH2O	6000	mmH2O	1.0% F.S
0~1600		10000		
0~2500		16000		
0~4000		25000		
0~6000		40000		
0~10000		60000		
0~1	Kgf/cm2 bar	6	Kgf/cm2 bar	1.6% F.S
0~2.5		16		
0~4		25		
0~6		40		
0~10		60		
0~16		100		
0~25		100		

## GAUGE CONNECTION

B16 1/4NPT(M)    B15 1/4BSP(M)    B14 1/4NPT(F)  
 B9 3/8NPT(M)    B8 3/8BSP(M)    B7 3/8NPT(F)  
 B10 1/2NPT(M)    B11 1/2BSP(M)    B12 1/2NPT(F)

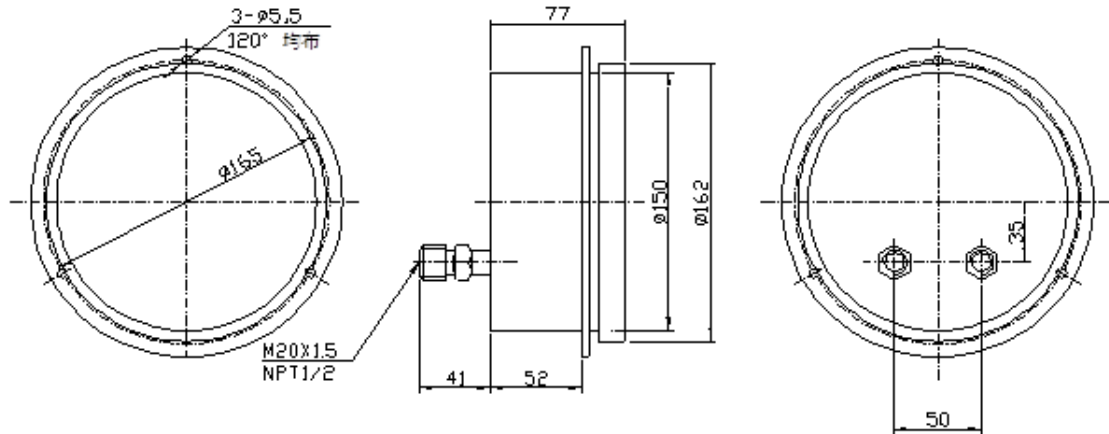


BBO-B TYPE-1

BBOB-B TYPE-2

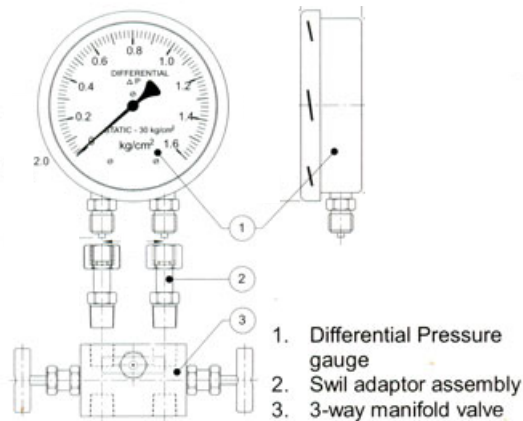
NS	A	B	ØC	ØD	F	G	Weight up gram (With Box)
100	95	70	110	100	25	37	5850.0
150	15	49	161	149	99	54	6164.0

NS	A	B	ØC	ØD	F	G	Weight up gram (With Box)
100	12.5	48	110	100	99	50	5850.0
150	15	49	161	149	99	50	6164.0



BBO-B TYPE-3

**Parallel Bottom Connection Direct Mounting**



**ELECTRIC CONTACTS: (WITH IP PROTECTION UP TO IP 55, DAMPENING LIQUID OPTIONS ARE NOT AVAILABLE)**

**A) MAGNETIC SNAP ACTION TYPE (230V AC 1Amp.)**  
**(48V DC 0.5Amp.)**

**B) INDUCTIVE TYPE (220V AC 0.4Amp)**  
**AVAILABLE ONLY ABOVE 400mm WC**

**AVAILABLE ONLY ABOVE 6000 mm WC**

- D1** Single; NORMALLY CLOSED
- D2** Double; NORMALLY CLOSED+NORMALLY OPEN
- D3** Single; NORMALLY OPEN
- D4** Double; NORMALLY CLOSED+NORMALLY CLOSED
- D5** Double; NORMALLY CLOSED
- D6** Double; NORMALLY OPEN

- D10** Single; NORMALLY OPEN
- D11** Single; NORMALLY CLOSED
- D12** Double; NORMALLY CLOSED+NORMALLY OPEN
- D13** Double; NORMALLY OPEN
- D14** Double; NORMALLY CLOSED
- D15** Double; NORMALLY CLOSED+NORMALLY CLOSED