

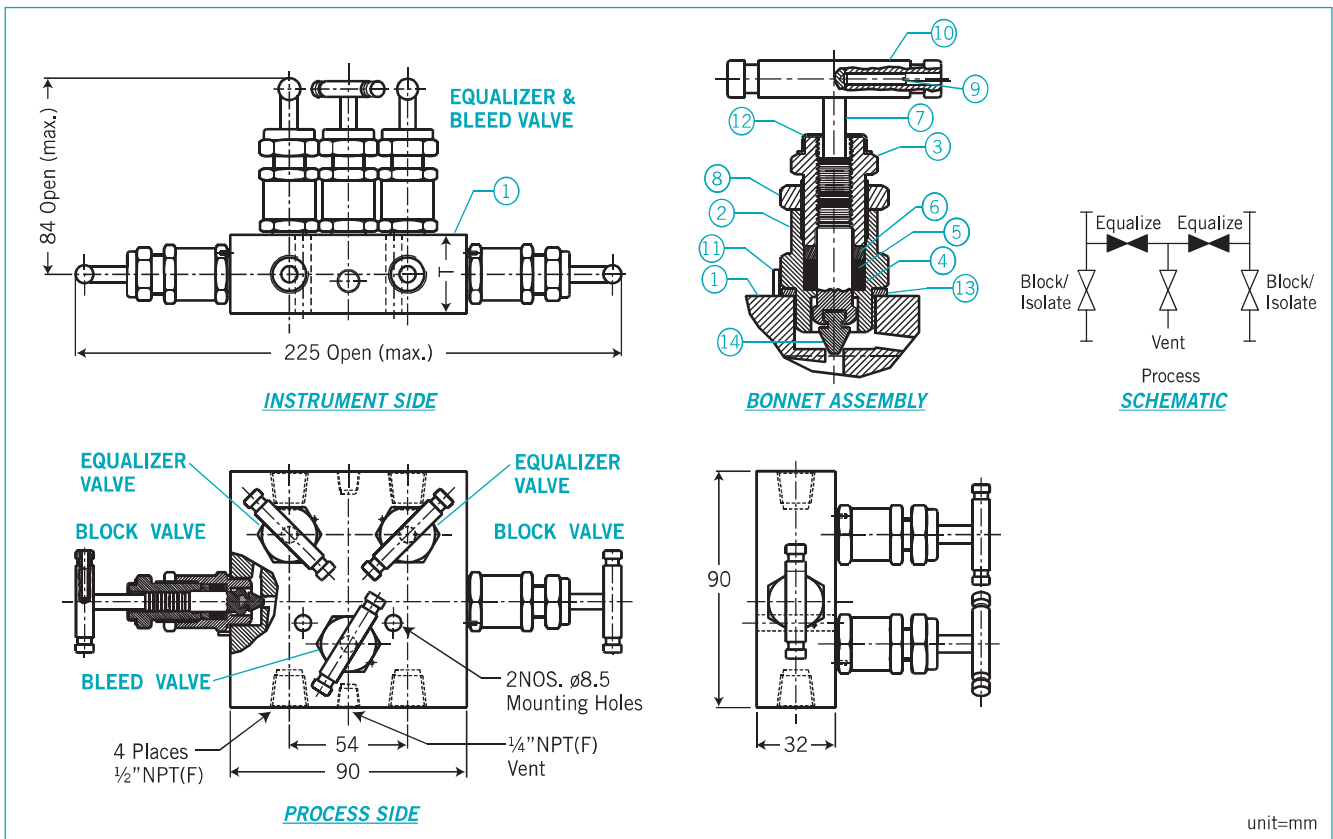
5-VALVE MANIFOLDS



Technical Data

- Designed for D/P transmitter, thread connection.
 - Consists of two block valves, two equalizer valves and one bleed valve as well as one vent hole ¼" NPT female.
 - Process connection ½" NPT female, and center to center are 54mm.
- Body Material:** SS316 (standard)
Valve Tip to Seat: Metal to Metal
Process Connection: ½" NPT Female
Instrument Connection: ½" NPT Female
Working Pressure & Working Temperature: Please refer to the pressure/temperature table

Dimensions



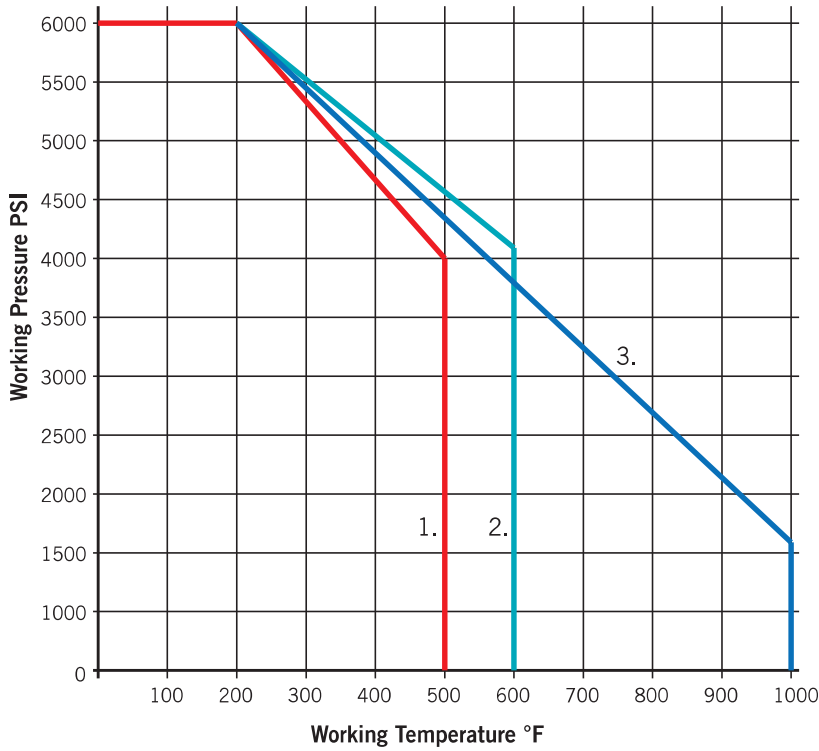
Parts List

Item	Description	Material	Qty
1	Body	SS316	1
2	Bonnet	SS316	5
3	Gland Retainer	SS316	5
4	Washer	SS316	5
5	Packing	PTFE / Graphoil	5
6	Packing Washer	SS316	5
7	Spindle	SS316	5
8	Lock Nut	SS316	5
9	Grub Screw	Steel	5
10	Handle	SS316	5
11	Lock Pin	SS316	5
12	Dust Cap	Plastic LD.	5
13	Washer	SS316	5
14	Non Rotating Vee Tip	A564-630	5

Features / Benefits

- Forged One Piece Body Construction (No Welding):** For High Strength.
- Non Rotating Vee :**
 - (a) Rolled and plated stem threads for extra strength.
 - (b) Screwed bonnet with safety lock pin prevents accidental valve disassembly.
 - (c) Adjustable packing below threads.
- Safety Bonnet Lock:** Prevents accidental disassembly.
- Stem Thread Rolled & Hard Plated:** Provides additional strength & maximum service life.
- Mirror Finish Stem, Burnished to a 16GRMS:** Extends packing life and smoothens stem operation.
- Adjustable Packing Below Stem Threads:** Prevents stem lubrication washout and isolates threads from process contamination.
- Safety Back Seating:** Provides secondary stem seal in full open position, prevents stem blowout.
- Stainless Steel Handle:** For hand actuation.
- Body to Bonnet Seal:** Metal to Metal constant compression, isolated bonnet threads from system fluids and eliminates possible tensile.
- Dust Cap:** Prevents contamination washout out of bonnet assembly.

Pressure / Temperature Table



- 1. Teflon Packing
- 2. Graphoil Packing
- 3. SS316 Graphoil Packing

Pressure Rating

Temp.	C.S.	S.S.	Orifice	Cv
77°F	6000 psi	6000 psi	4.8 mm	0.52 Max
500°F	4000 psi	4000 psi	4.8 mm	0.52 Max
1000°F	1500 psi	1500 psi	4.8 mm	0.52 Max

Ordering Information

BCA5	Code	Body Material	
↓	SS	SS316	0 Option
	Code	Process Connection	
	8	1/2" NPT	
	Code	Mounting Type	
	R	Pipe to Pipe	
↓	↓	↓	↓
<input type="text"/>	<input type="text"/>	<input type="text"/>	<input type="text"/>
Complete Ordering Code			